

- Wide range of variants
- Sturdy
- Functional
- Versatile

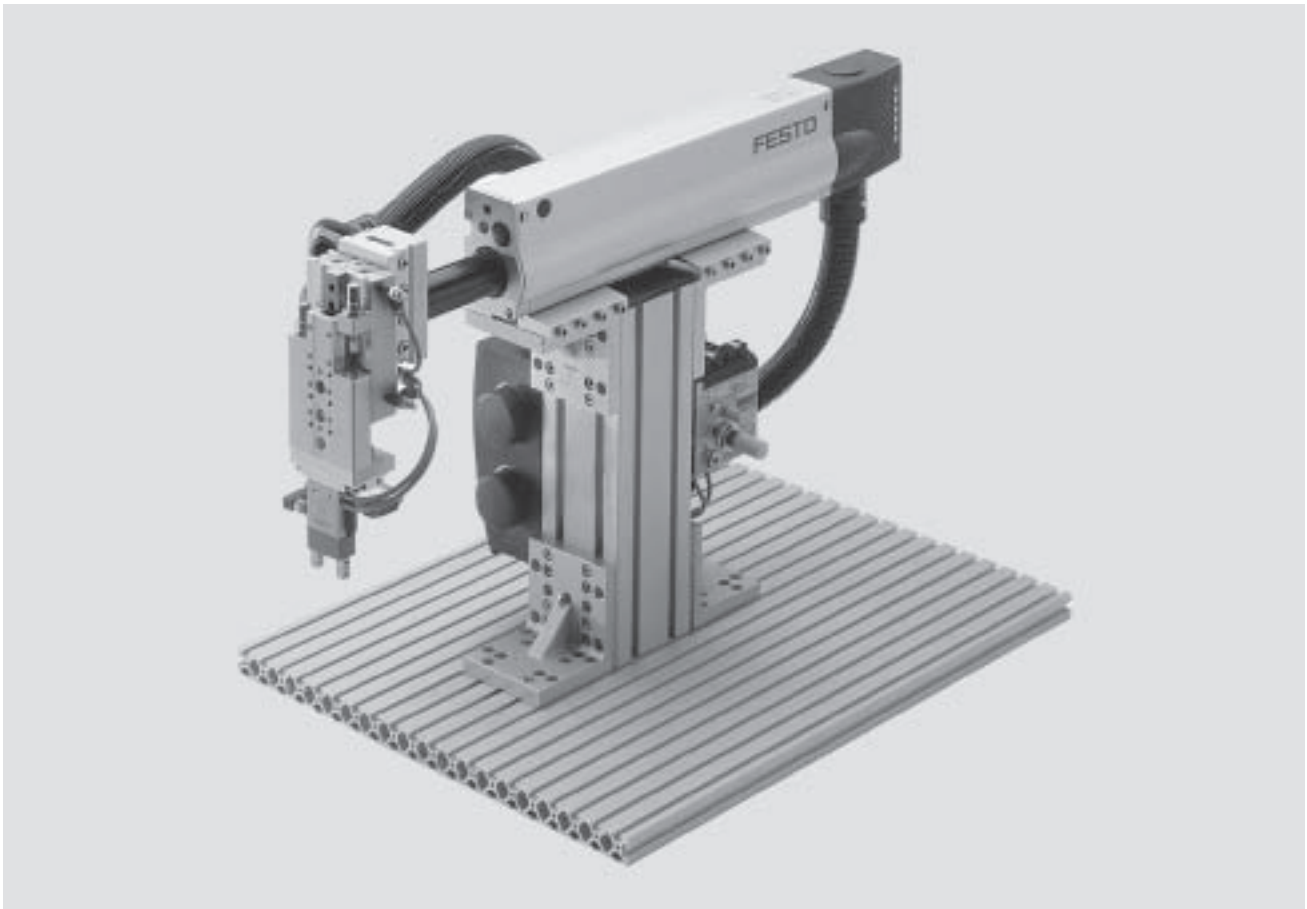
Profiles and profile connectors

Key features



System components
Basic components

3.1



Basic kits

Profile column HMBS

With slot width 8 mm for mounting adapter and basic kits as well as mounting brackets.

Cover cap HMBSA

For covering the end faces of profile columns HMBS.

Connecting kit HMBSV

For connecting 2 to 3 profile columns HMBS.

Connecting kit HMBSW

For connecting two profile columns HMBS or profile columns with 40 mm slot width.

Basic kit HMBF-DB

For direct mounting of profile columns on a base plate.

Connecting kit HMBWS

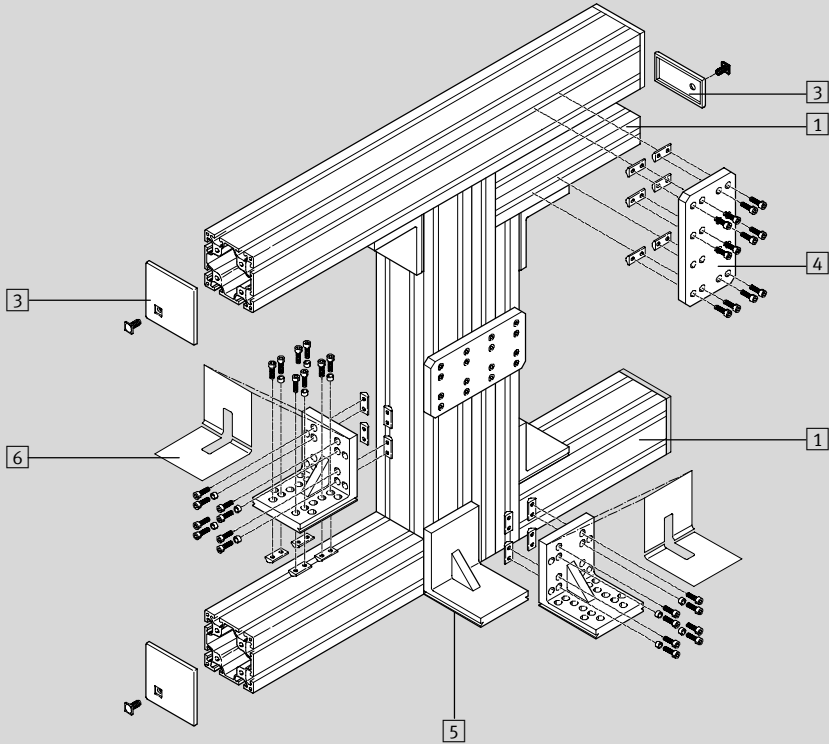
For connecting one profile column (with 40 mm slot width) to another profile column (with a slot width greater or smaller than 40 mm).

Profiles and profile connectors

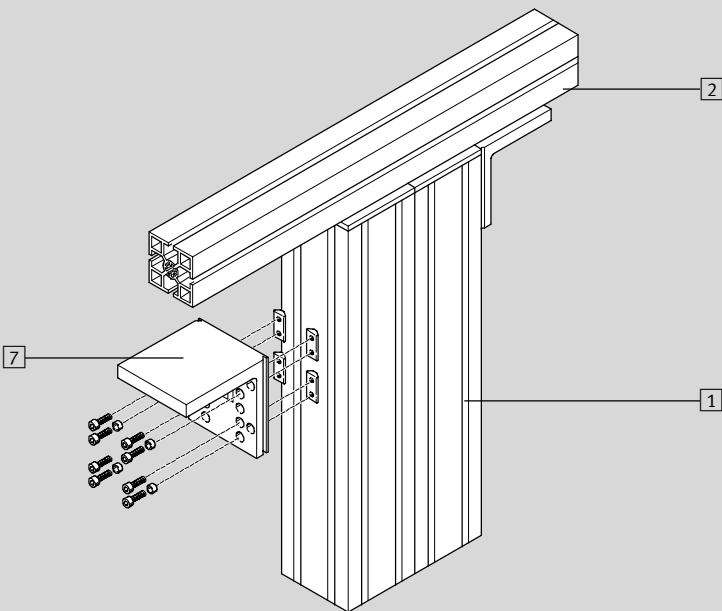
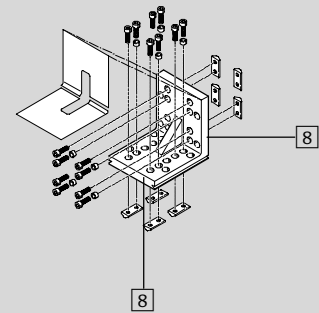
Key features



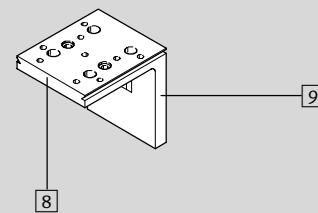
Optimal concept of multiple functionalities



6 Connecting kit HMBSW



7 Connecting kit HMBWS



- 1 Profile column HMBS
- 2 Bosch profile column
- 3 Cover cap HMBSA
- 4 Connecting kit HMBSV

- 5 Basic kit HMBF-DB
- 6 Connecting kit HMBSW
- 7 Connecting kit HMBWS

- 8 Angle flange for mounting profile columns with a 40 mm hole grid pattern (Festo, item, May-Tec, Schuco, etc.)

- 9 Angle flange for mounting profile columns with a hole grid pattern for slot widths ≠ 40 mm (Bosch, Norgren, etc)

System components
Basic components

3.1

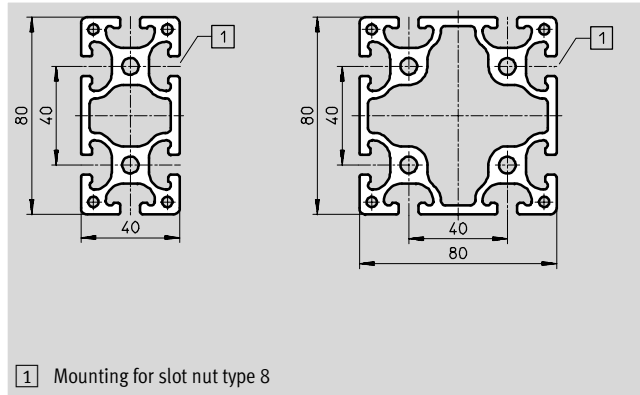
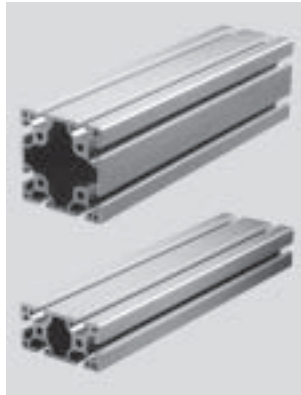
Profiles and profile connectors

Technical data



Profile column HMBS

Material:
Wrought aluminium alloy



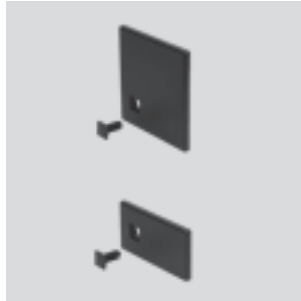
1) Mounting for slot nut type 8

Ordering data			
Dimensions [mm]	Part No.	Type	PJ ¹⁾
80x40	175 964	HMBS-80/40-...	1
80x80	175 958	HMBS-80/80-...	1
Accessories			
Slot nuts	186 567	HMBN-8-2M5	10

1) Packaging unit quantity

Cover cap HMBSA

Material:
Polyacetal



Ordering data			
Dimensions [mm]	Part No.	Type	PJ ¹⁾
80x40	175 966	HMBSA-80/40-...	1
80x80	175 965	HMBSA-80/80-...	1

1) Packaging unit quantity

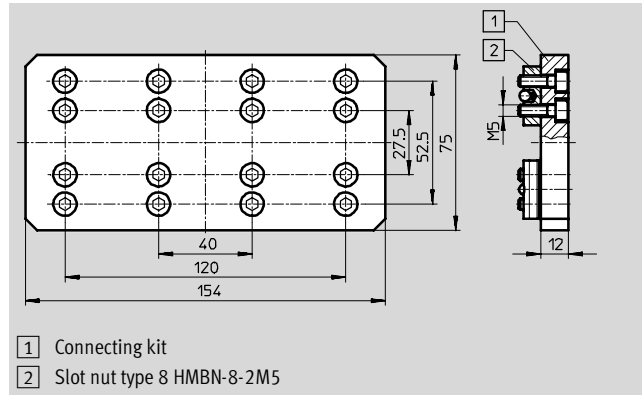
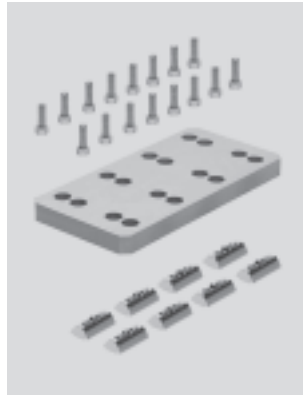
Profiles and profile connectors

Technical data



Connecting kit HMBSV

Material:
Wrought aluminium alloy



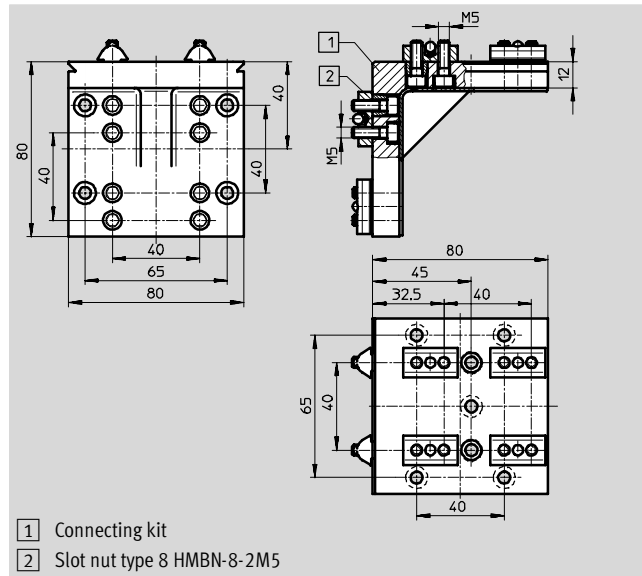
- 1 Connecting kit
- 2 Slot nut type 8 HMBN-8-2M5

Ordering data			
	Part No.	Type	PU ¹⁾
Connecting kit	175 972	HMBSV	1
Accessories			
Slot nuts	186 567	HMBN-8-2M5	10
Screws	M5x16		-

1) Packaging unit quantity

Connecting kit HMBSW

Material:
Wrought aluminium alloy
Cover cap: Polyacetal



- 1 Connecting kit
- 2 Slot nut type 8 HMBN-8-2M5

Ordering data			
	Part No.	Type	PU ¹⁾
Connecting kit HMBSW	178 228	HMBSW	1
Accessories			
Slot nuts	186 567	HMBN-8-2M5	10
Spacer rings	186 563	HMBRD	10
Screws	M5x16		-

1) Packaging unit quantity

Profiles and profile connectors

Technical data

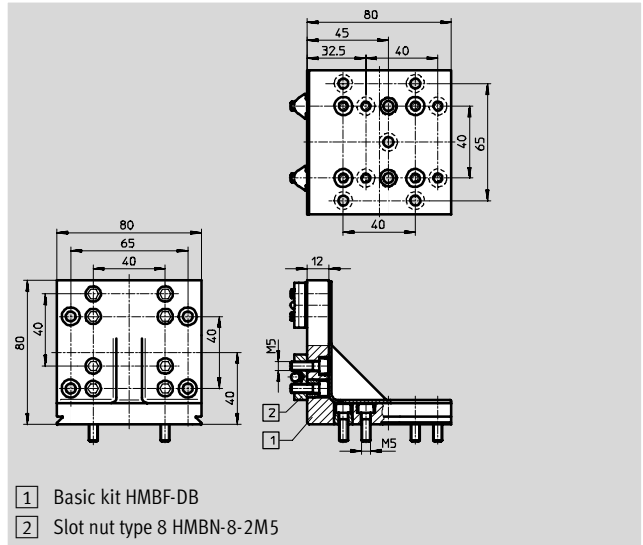


System components
Basic components

3.1

Basic kit HMBF-DB

Material:
Wrought aluminium alloy
Cover cap: Polyacetal



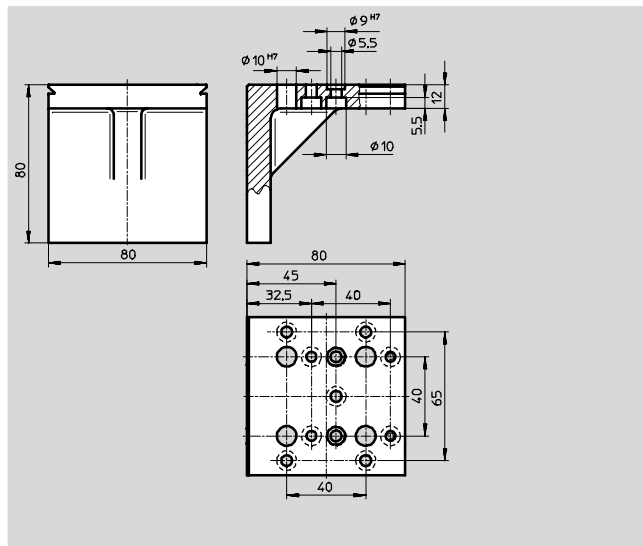
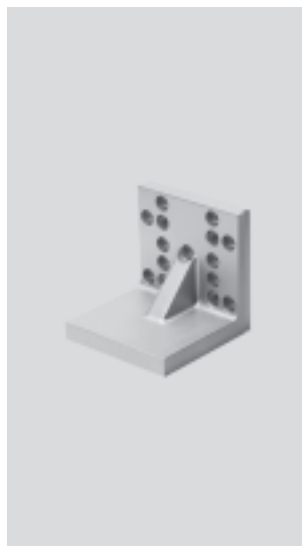
- 1 Basic kit HMBF-DB
- 2 Slot nut type 8 HMBN-8-2M5

Ordering data			
	Part No.	Type	PJ ¹⁾
Basic kit HMBF-DB	175 951	HMBF-DB	1
Accessories			
Slot nuts	186 567	HMBN-8-2M5	10
Spacer rings	186 563	HMBRD	10
Screws	M5x16		-

1) Packaging unit quantity

Connecting kit HMBWS

Material:
Wrought aluminium alloy



Ordering data			
	Part No.	Type	PJ ¹⁾
Connecting kit HMBWS	189 486	HMBWS	1
Accessories			
Slot nuts	186 567	HMBN-8-2M5	10
Screws	M5x16		10

1) Packaging unit quantity