



- Compact
- Functional
- Multiple variants
- Versatile

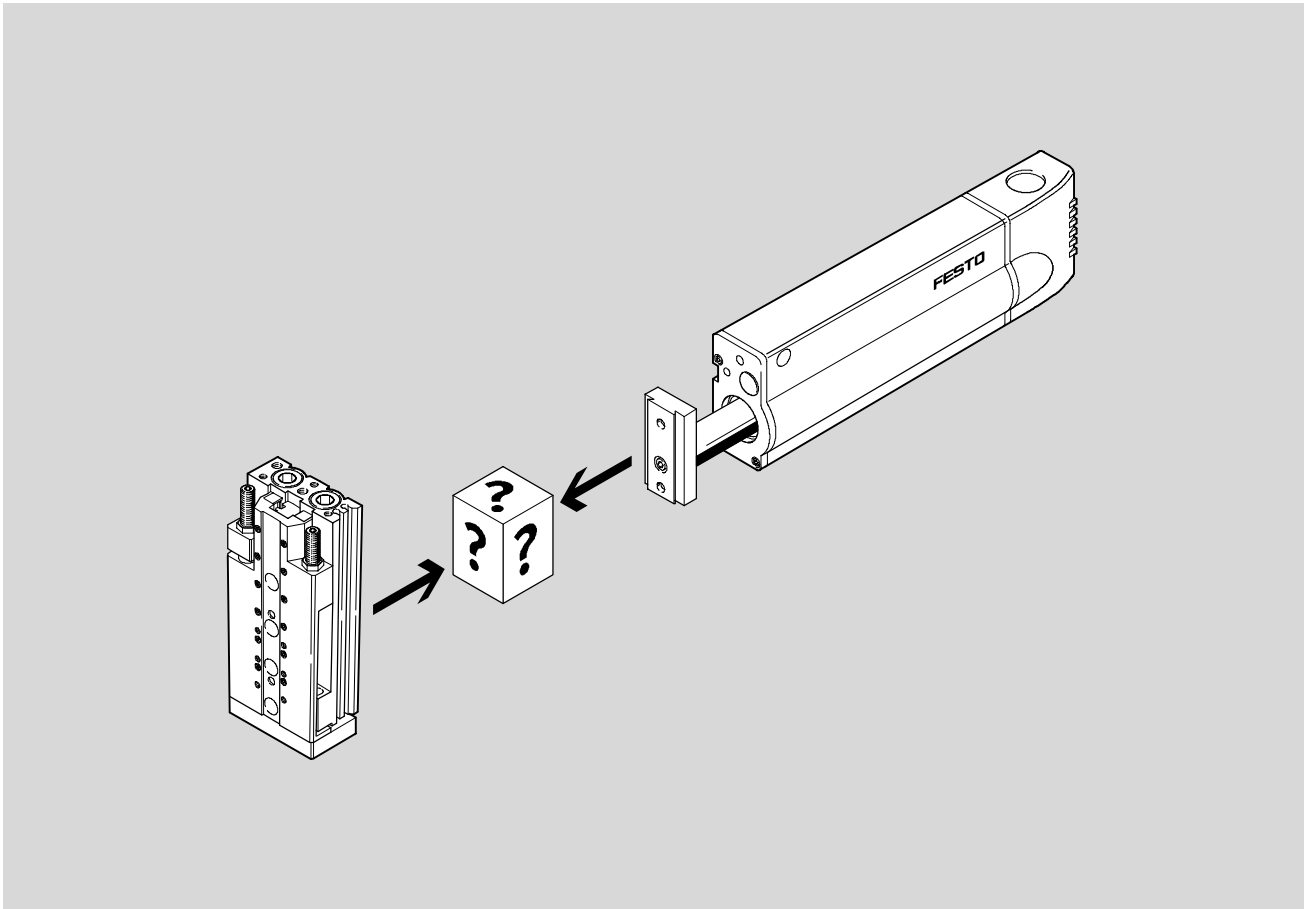
Drive/drive combinations

Features



System components
Adapters

3.2



Compact

- Drive combinations with mutually harmonised kits
- Sturdy kits for accurate and reliable drive combinations

Functional

- With the numerous adapter kit variants on offer a wealth of combination options is available
- With linear movements in every direction, supplemented by rotary movements, any desired application can be realised

Versatile

- Combination of different Festo drives into one complete system
- All the parts required for the combination are included in the scope of delivery

Individual

- Application-oriented combinations can be selected:
 - Direct mounting
 - Dovetail mounting

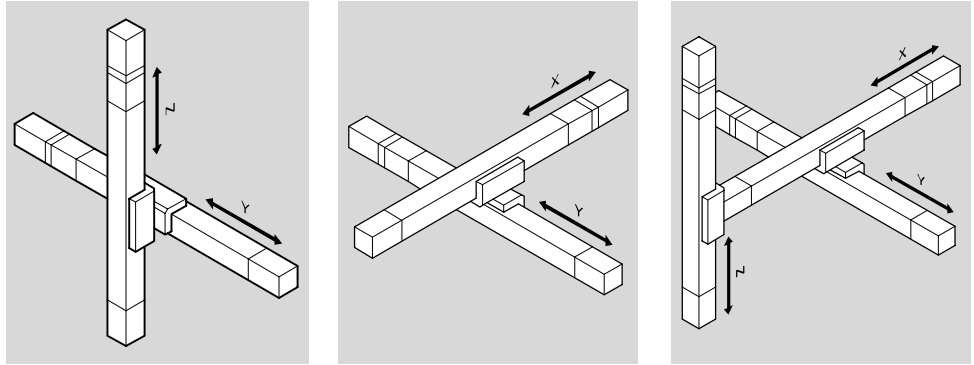
Drive/drive combinations

Features

The system

Definition of axes y/z axis x/y axis x/y/z axis

To determine the drive, the movement planes are defined in the y and z axes. Depending on the combination and as-installed position, the movement plane and thus the axis designation (y or x) may change.

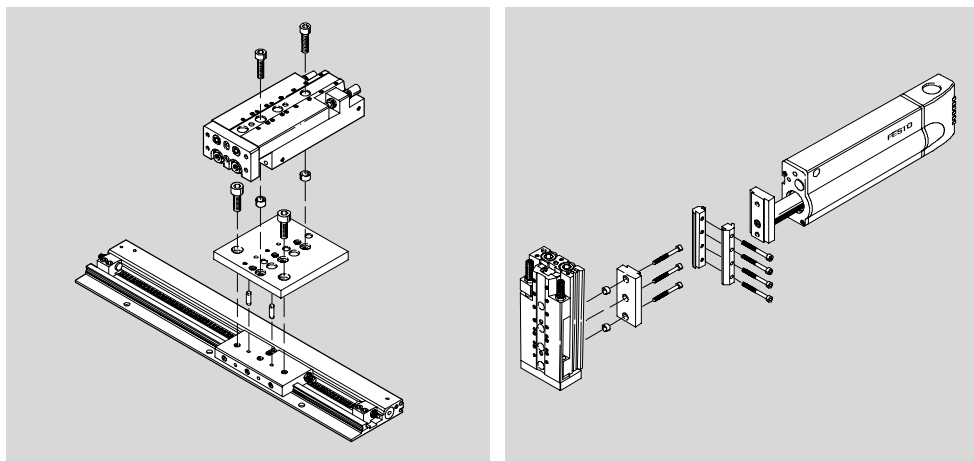


Types of connection

Direct mounting
Two drives are connected directly using screws and centring sleeves or via an adapter plate using screws and centring sleeves.

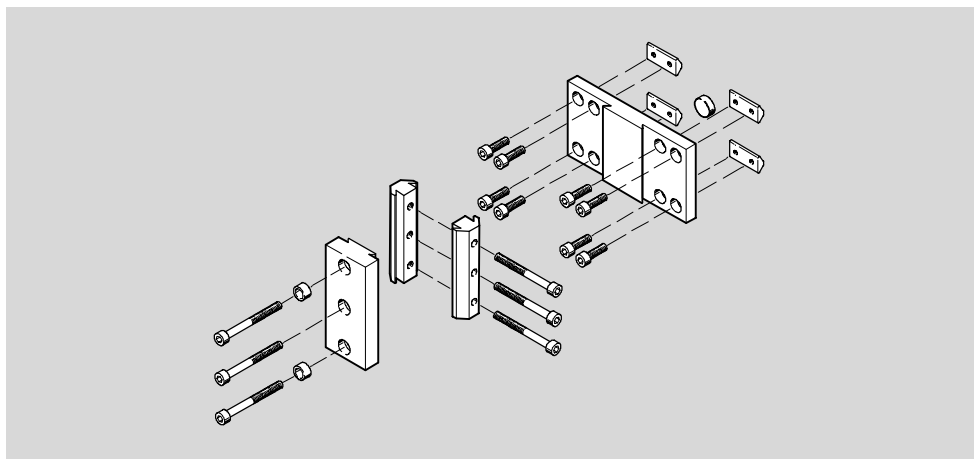
Dovetail mounting
Two drives are connected using a dovetail clamping device and possibly also an adapter plate.

Direct mounting Dovetail mounting



Assembly

For the quick connection of two drives, the required screws, centring sleeves, centring pins, clamping components, adapter plates and slot nuts are contained in the scope of supply of the adapter kit.



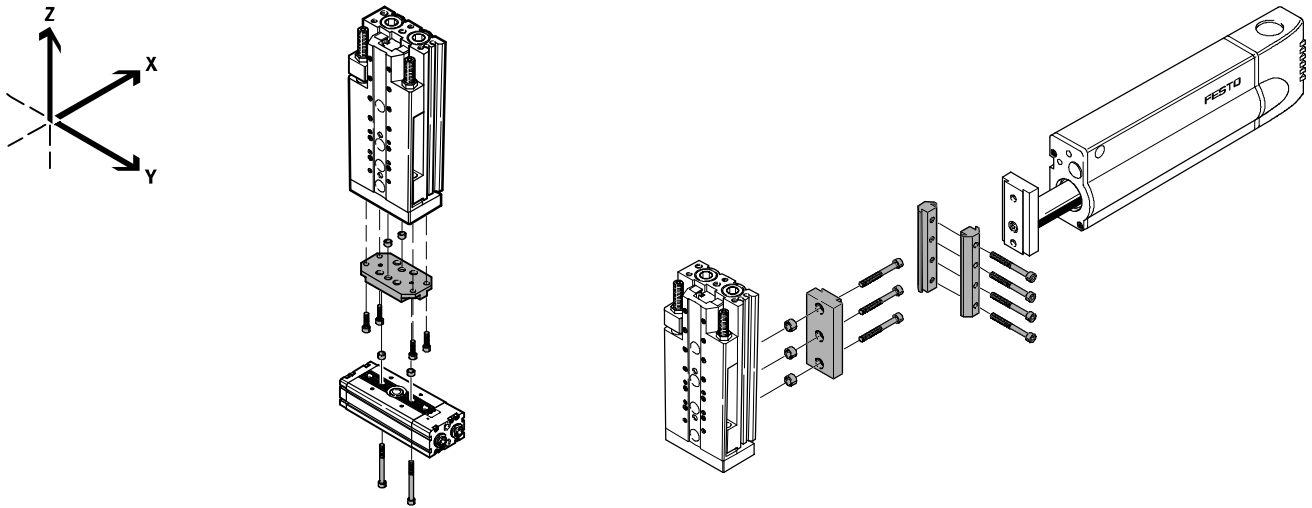
Drive/drive connections

Selection aid



Faster system building

Select the appropriate drive combination



System components
Adapters

3.2

Drive/axis	X/Y						
	Type	Rodless cylinders			Semi-rotary drives	Drives with linear guide	
		DGPL	DG...-HD	SLG	DRQD ¹⁾	SLT	SPZ
Z	DGPL	5 / 3.2-40	5 / 3.2-40				
	DG...-HD						
	SLG						
	DRQD ¹⁾					5 / 3.2-24	
	DSL	5 / 3.2-42					
	SLF			5 / 3.2-29			
	SLT	5 / 3.2-36		5 / 3.2-28	5 / 3.2-26	5 / 3.2-22	
	SPZ						5 / 3.2-46
	DFM	5 / 3.2-38					
	DPZ	5 / 3.2-41					5 / 3.2-46
	HMP	5 / 3.2-30	5 / 3.2-32		5 / 3.2-26		
	HMPL	5 / 3.2-34			5 / 3.2-26		
	DGPIL	5 / 3.2-40	5 / 3.2-40				
	DGE	5 / 3.2-40	5 / 3.2-40				
DGEA							

1) Rotary axis

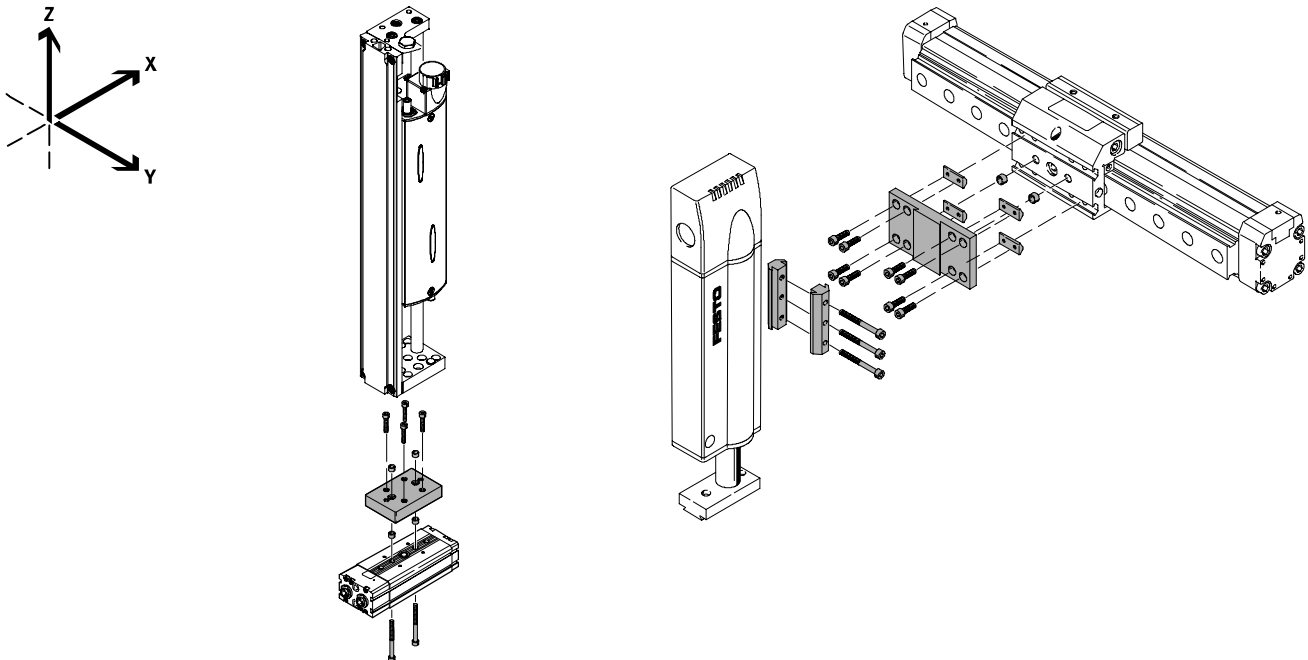
Drive/drive connections

Selection aid



Faster system building

Select the appropriate drive combination



System components
Adapters

3.2

Drive/axis	X/Y					
	Type	Drives with linear guide	Handling units		Cylinders with displacement encoder	Electromechanical drives
		DPZ	HMP	HMPL	DGPIL	DGE
Z	DGPL				5 / 3.2-40	5 / 3.2-40
	DG...-HD					
	SLG					
	DRQD ¹⁾		5 / 3.2-12	5 / 3.2-20		
	DSL		5 / 3.2-16		5 / 3.2-42	5 / 3.2-42
	SLF					
	SLT		5 / 3.2-10		5 / 3.2-36	5 / 3.2-36
	SPZ	5 / 3.2-46				
	DFM				5 / 3.2-38	5 / 3.2-38
	DPZ	5 / 3.2-46			5 / 3.2-41	5 / 3.2-41
	HMP		5 / 3.2-6		5 / 3.2-30	5 / 3.2-30
	HMPL		5 / 3.2-8	5 / 3.2-18	5 / 3.2-34	5 / 3.2-34
	DGPIL				5 / 3.2-40	5 / 3.2-40
DGE				5 / 3.2-40	5 / 3.2-40	
DGEA						

1) Rotary axis

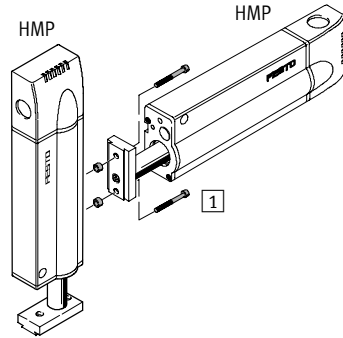
HMP/HMP combinations

Technical data

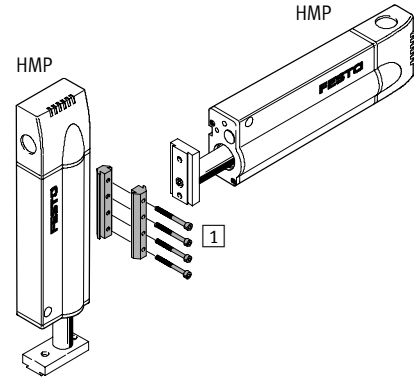


Adapter kit HMSV

Material:
 Wrought aluminium alloy, anodised
 Centring sleeves: High-alloy steel
 Slot nuts: Tempered steel
 Free of copper, PTFE and silicone



Direct mounting
 1 Adapter kit HMSV-4



Dovetail mounting
 1 Adapter kit HMSV-1

Ordering data								
Type	Linear module HMP							
	16	20		25		32		
	Part No.	Type	Part No.	Type	Part No.	Type	Part No.	Type
Direct mounting								
Linear module	16	177 648	HMSV-2	–	–	–	–	–
HMP	20	177 650	HMSV-4	177 650	HMSV-4	–	–	–
	25	177 651	HMSV-5	177 651	HMSV-5	177 652	HMSV-6	–
	32	177 651	HMSV-5	177 651	HMSV-5	177 652	HMSV-6	177 652
Dovetail mounting								
Linear module	16	177 647	HMSV-1	–	–	–	–	–
HMP	20	177 647	HMSV-1	177 649	HMSV-3	–	–	–
	25	177 647	HMSV-1	177 649	HMSV-3	177 649	HMSV-3	–
	32	177 649	HMSV-3	177 653	HMSV-7	177 653	HMSV-7	177 653

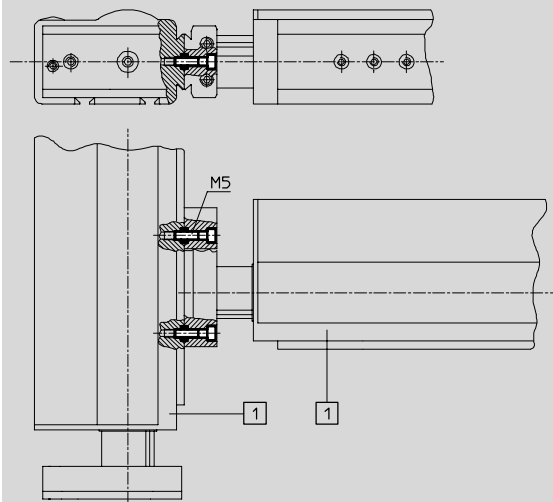
HMP/HMP combinations

Technical data

Dimensions

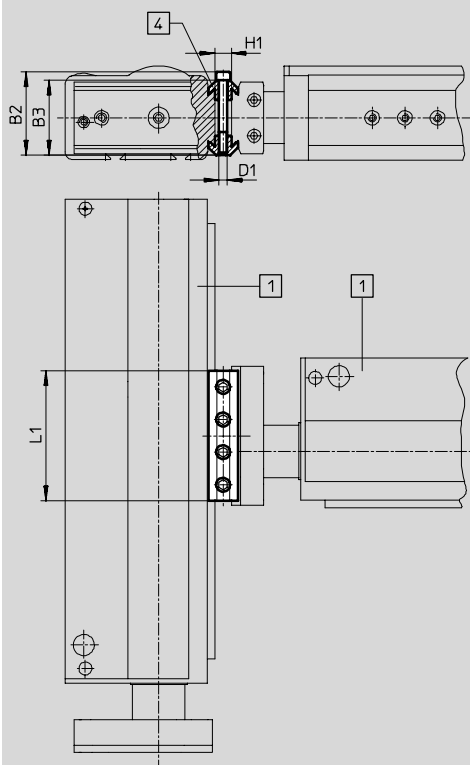
Download CAD data → www.festo.com/en/engineering

Direct mounting



1 Linear module HMP

Dovetail mounting



1 Linear module HMP
4 Adapter kit HMSV

Type	B2	B3	D1	H1	L1	CRC ¹⁾
HMSV-1	51	46	M5	10	80	2
HMSV-3					100	2
HMSV-7					120	2

1) Corrosion resistance class 2 according to Festo standard 940 070

Components requiring moderate corrosion resistance. Externally visible parts with primarily decorative surface requirements which are in direct contact with a surrounding industrial atmosphere or media such as cooling or lubricating agents.

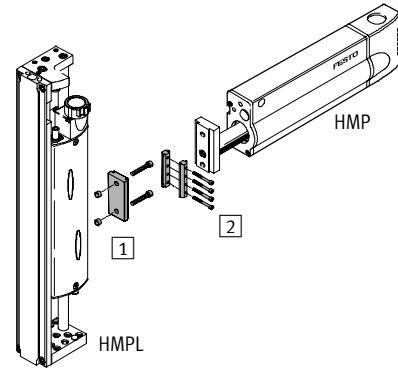
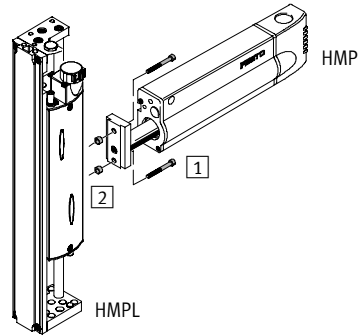
HMP/HMPL combinations

Technical data



Adapter kit HMSV

Material:
Wrought aluminium alloy, anodised
Centring sleeves: High-alloy steel
Free of copper, PTFE and silicone



Direct mounting

- 1 Cylinder screws to DIN 912
- 2 Centring sleeves ZBH-9

Dovetail mounting

- 1 Adapter kit HMSV-46
- 2 Adapter kit HMSV-1

Ordering data							
Type		Linear module HMPL					
		12		16		20	
		Part No.	Type	Part No.	Type	Part No.	Type
Direct mounting ¹⁾							
Linear module HMP	16	2x M5x22 DIN 912		2x M5x22 DIN 912		2x M5x22 DIN 912	
		2x ZBH-9		2x ZBH-9		2x ZBH-9	
	20	2x M5x22 DIN 912		2x M5x22 DIN 912		2x M5x22 DIN 912	
		2x ZBH-9		2x ZBH-9		2x ZBH-9	
	25	–		2x M5x30 DIN 912		2x M5x30 DIN 912	
				2x ZBH-9		2x ZBH-9	
Dovetail mounting							
Linear module HMP	16	193 923	HMSV-46	193 923	HMSV-46	193 923	HMSV-46
		177 647	HMSV-1	177 647	HMSV-1	177 647	HMSV-1
	20	193 923	HMSV-46	193 923	HMSV-46	193 923	HMSV-46
177 647		HMSV-1	177 647	HMSV-1	177 647	HMSV-1	
25	–		193 923	HMSV-46	193 923	HMSV-46	
			177 647	HMSV-1	177 647	HMSV-1	
32	–		–		193 923	HMSV-46	
					177 647	HMSV-1	

1) The screws listed are not included with the drives.

HMP/HMPL combinations

Technical data

Dimensions Download CAD data → www.festo.com/en/engineering

Direct mounting

- 1 Linear module HMPL
- 2 Linear module HMP
- 3 Centring sleeve ZBH-9

Dovetail mounting

- 1 Linear module HMP
- 2 Linear module HMPL
- 3 Adapter kit HMSV-46
- 4 Dovetail adapter kit HMSV-1

Type	B1	B2	B3	D1	H1	L1	L2	CRC ¹⁾
HMSV-1	40	51	46	M3	22	85	80	2
HMSV-46								2

1) Corrosion resistance class 2 according to Festo standard 940 070
 Components requiring moderate corrosion resistance. Externally visible parts with primarily decorative surface requirements which are in direct contact with a surrounding industrial atmosphere or media such as cooling or lubricating agents.

HMP/SLT combinations

Technical data



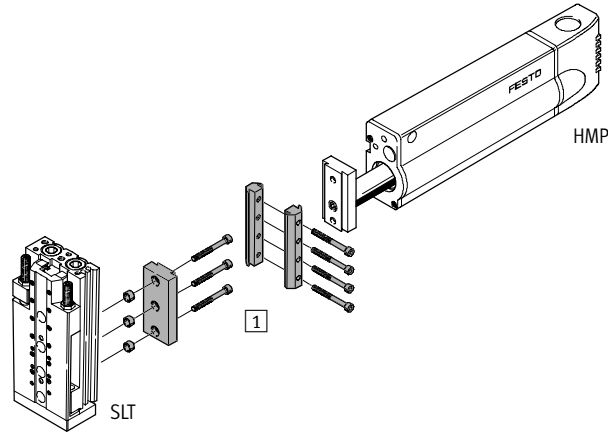
Adapter kit HMSV

Material:

Wrought aluminium alloy, anodised

Centring sleeves: High-alloy steel

Free of copper, PTFE and silicone



Dovetail mounting

1 Adapter kit HMSV-34

Ordering data											
Type	Mini slide SLT										
	6	10		16		20		25			
	Part No.	Type	Part No.	Type	Part No.	Type	Part No.	Type	Part No.	Type	
Dovetail mounting											
Linear module	16	178 329	HMSV-34	178 330	HMSV-35	178 331	HMSV-36	–	–	–	
HMP	20	–	–	178 330	HMSV-35	178 331	HMSV-36	178 332	HMSV-37	–	
	25	–	–	–	–	178 331	HMSV-36	178 332	HMSV-37	178 332	HMSV-37
	32	–	–	–	–	–	–	178 332	HMSV-37	178 332	HMSV-37

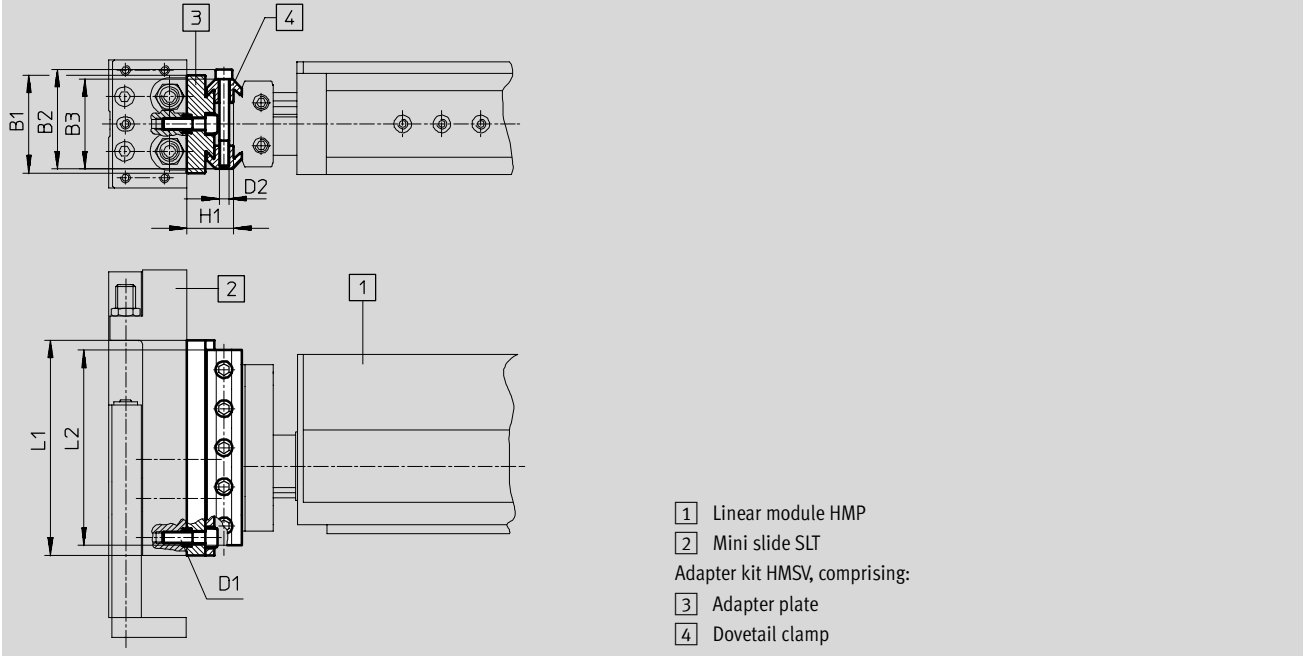
HMP/SLT combinations

Technical data



Dimensions Download CAD data → www.festo.com/en/engineering

Dovetail mounting



Type	B1	B2	B3	D1	D2	H1	L1	L2	CRC ¹⁾
HMSV-34	40	51	46	M3	M5	22	85	80	2
HMSV-35				M4			110		2
HMSV-36	50			M6		24	100	2	
HMSV-37	80			M8		26		2	

1) Corrosion resistance class 2 according to Festo standard 940 070
 Components requiring moderate corrosion resistance. Externally visible parts with primarily decorative surface requirements which are in direct contact with a surrounding industrial atmosphere or media such as cooling or lubricating agents.

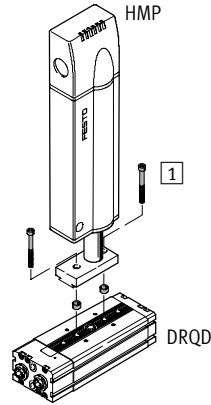
HMP/DRQD combinations

Technical data



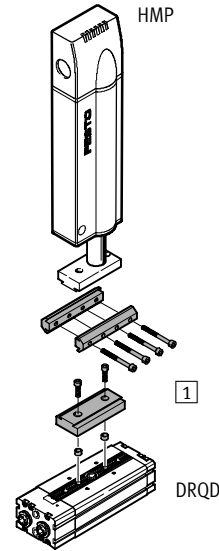
Adapter kit HMSV

Material:
Wrought aluminium alloy, anodised
Centring sleeves: High-alloy steel
Free of copper, PTFE and silicone



Direct mounting

1 Adapter kit HMSV-4



Dovetail mounting

1 Adapter kit HMSV-10

Ordering data								
Type	Semi-rotary drive DRQD							
	16	16 (SD32, SD42)		20	20 (SD32, SD42)		25	32
	Part No.	Type	Part No.	Type	Part No.	Type	Part No.	Type
Direct mounting								
Linear module	16	177 650	–	177 650	–	–	–	–
HMP		HMSV-4		HMSV-4				
	20	177 650	–	177 650	–	–	–	–
		HMSV-4		HMSV-4				
	25	177 651	–	177 651	–	177 657	–	–
		HMSV-5		HMSV-5		HMSV-11		
	32	–	–	177 659	–	177 661	–	177 663
				HMSV-13		HMSV-15		HMSV-17
Dovetail mounting								
Linear module	16	177 656	177 647	177 656	177 647	–	–	–
HMP		HMSV-10	HMSV-1	HMSV-10	HMSV-1			
	20	177 656	177 647	177 656	177 647	–	–	–
		HMSV-10	HMSV-1	HMSV-10	HMSV-1			
	25	177 656	177 647	177 656	177 647	177 660	–	–
		HMSV-10	HMSV-1	HMSV-10	HMSV-1	HMSV-14		
	32	–	177 647	177 662	177 647	177 664	–	177 665
			HMSV-1	HMSV-16	HMSV-1	HMSV-18		HMSV-19

HMP/DRQD combinations

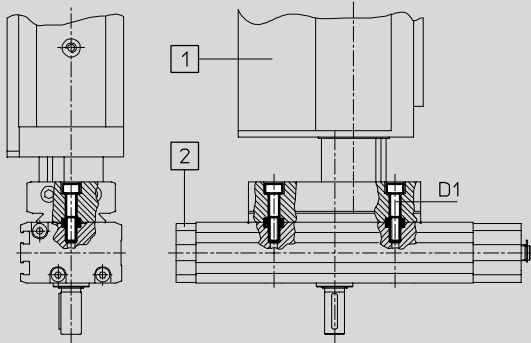
Technical data

Dimensions

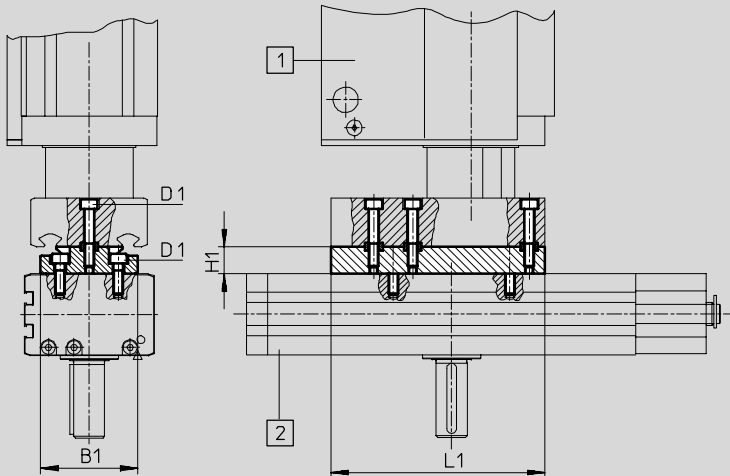
Download CAD data → www.festo.com/en/engineering

Direct mounting

HMSV-4/-5



HMSV-11/-13/-15/-17



- 1 Linear module HMP
- 2 Semi-rotary drive DRQD

Type	B1	D1	H1	L1	CRC ¹⁾
HMSV-4	-	M5	-	-	2
HMSV-5					2
HMSV-11	50		14	110	2
HMSV-13					2
HMSV-15			133	2	
HMSV-17				2	

1) Corrosion resistance class 2 according to Festo standard 940 070
 Components requiring moderate corrosion resistance. Externally visible parts with primarily decorative surface requirements which are in direct contact with a surrounding industrial atmosphere or media such as cooling or lubricating agents.

HMP/DRQD combinations

Technical data

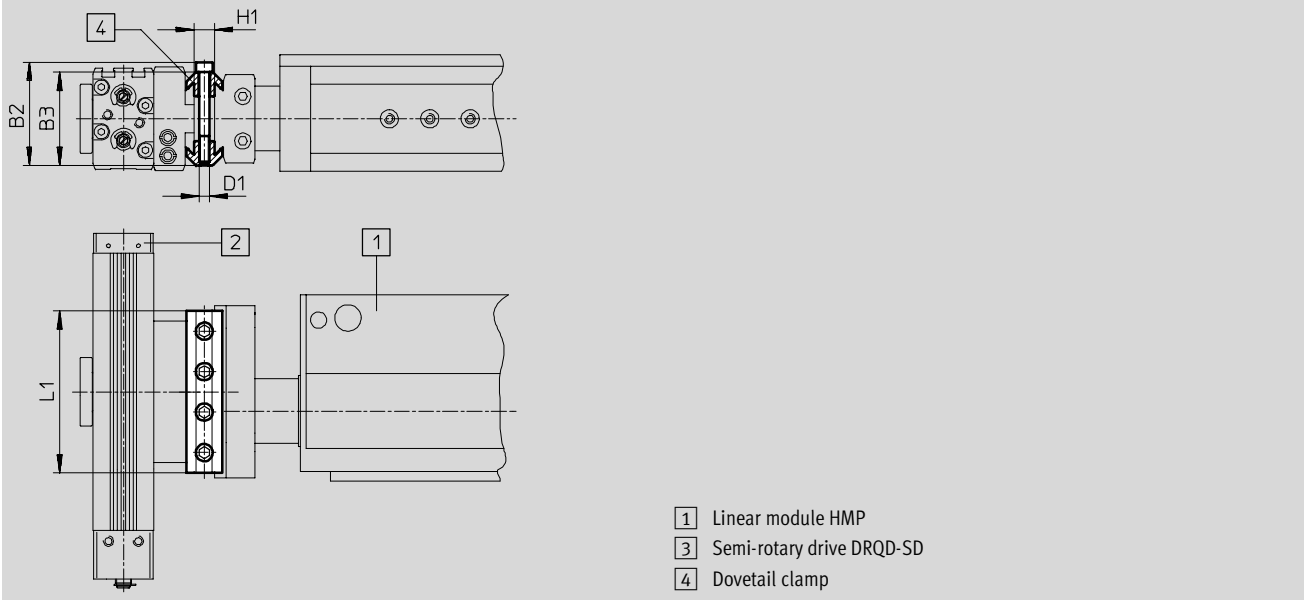


System components
Adapters

3.2

Dimensions Download CAD data → www.festo.com/en/engineering

Dovetail mounting



Type	B2	B3	D1	H1	L1	CRC ¹⁾
HMSV-1	51	46	M5	10	80	2

1) Corrosion resistance class 2 according to Festo standard 940 070
 Components requiring moderate corrosion resistance. Externally visible parts with primarily decorative surface requirements which are in direct contact with a surrounding industrial atmosphere or media such as cooling or lubricating agents.

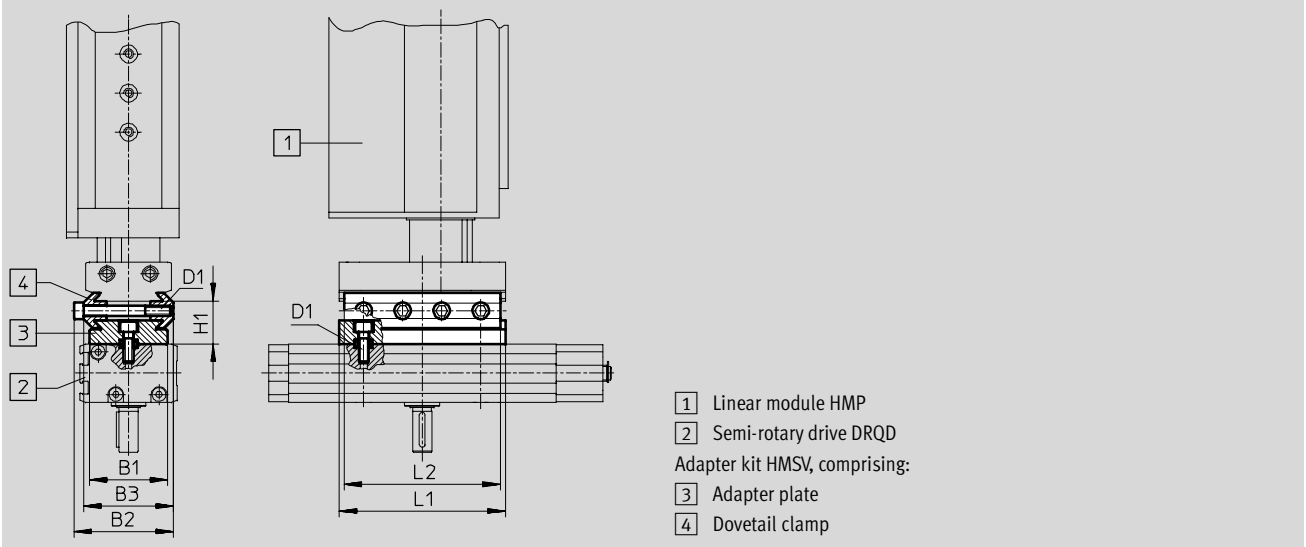
HMP/DRQD combinations

Technical data

Dimensions

Download CAD data → www.festo.com/en/engineering

Dovetail mounting



Type	B1	B2	B3	D1	H1	L1	L2	CRC ¹⁾
HMSV-10	40	51	46	M5	22	85	80	2
HMSV-14	50				24	110	100	2
HMSV-16					133	120	2	
HMSV-18							2	
HMSV-19					2			

1) Corrosion resistance class 2 according to Festo standard 940 070
 Components requiring moderate corrosion resistance. Externally visible parts with primarily decorative surface requirements which are in direct contact with a surrounding industrial atmosphere or media such as cooling or lubricating agents.

HMP/DSL combinations

Technical data



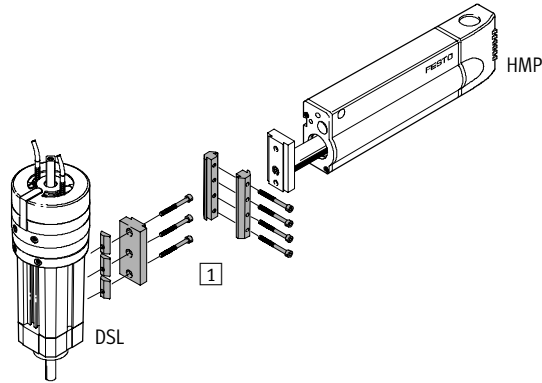
Adapter kit HMSV

Material:

Wrought aluminium alloy, anodised

Slot nuts: Tempered steel

Free of copper, PTFE and silicone



Dovetail mounting

1 Adapter kit HMSV-8

Ordering data								
Type	Swivel/linear unit DSL							
	16	20		25		32		
	Part No.	Type	Part No.	Type	Part No.	Type	Part No.	Type
Dovetail mounting								
Linear module	16	177 654	HMSV-8	–	–	–	–	–
HMP	20	177 654	HMSV-8	177 654	HMSV-8	–	–	–
	25	177 654	HMSV-8	177 654	HMSV-8	177 655	HMSV-9	–
	32	–	–	177 655	HMSV-9	177 655	HMSV-9	177 655

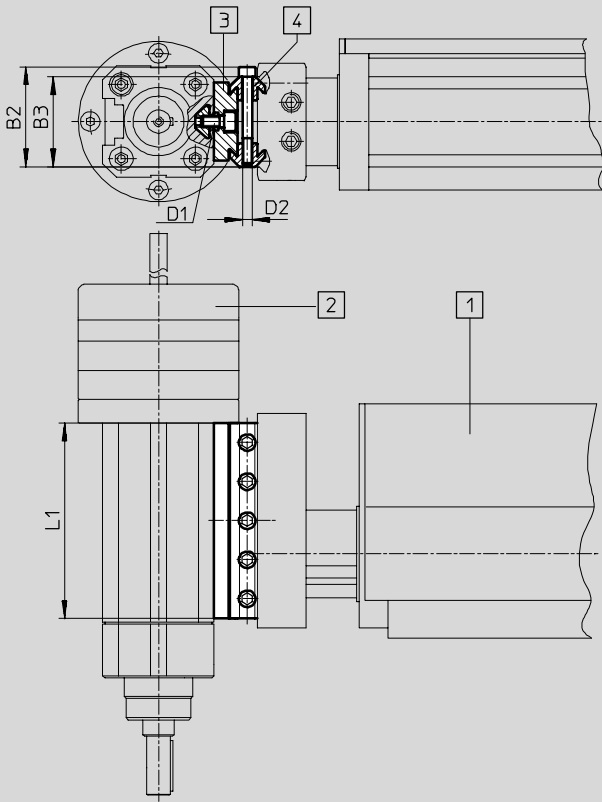
HMP/DSL combinations

Technical data

Dimensions

Download CAD data → www.festo.com/en/engineering

Dovetail mounting



- 1 Linear module HMP
 - 2 Swivel/linear unit DSL
- Adapter kit HMSV, comprising:
- 3 Adapter plate
 - 4 Dovetail clamp

Type	B2	B3	D1	D2	L1	CRC ¹⁾
HMSV-8	51	46	M5	M5	80	2
HMSV-9			M6		100	2

1) Corrosion resistance class 2 according to Festo standard 940 070
 Components requiring moderate corrosion resistance. Externally visible parts with primarily decorative surface requirements which are in direct contact with a surrounding industrial atmosphere or media such as cooling or lubricating agents.

HMPL/HMPL combinations

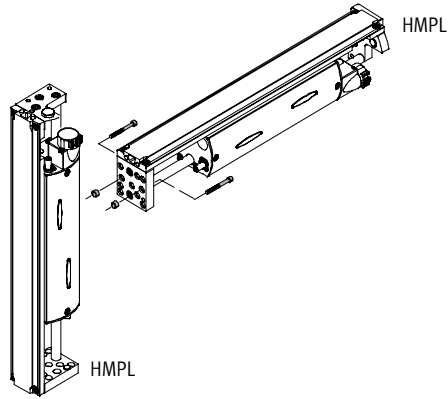
Technical data



Adapter kit

(user configured)

Material:
to DIN 912
Centring sleeves: High-alloy steel
Free of copper, PTFE and silicone



Direct mounting

Ordering data						
Type	Linear module HMPL					
	12		16		20	
	Part No.	Type	Part No.	Type	Part No.	Type
Direct mounting ¹⁾						
Linear module	12	2x M5x16 DIN 912	–	–	–	–
HMPL		2x ZBH-9				
	16	2x M5x16 DIN 912	2x M5x16 DIN 912	–	–	–
		2x ZBH-9	2x ZBH-9			
	20	2x M5x16 DIN 912	2x M5x16 DIN 912	2x M5x16 DIN 912	2x M5x16 DIN 912	–
		2x ZBH-9	2x ZBH-9	2x ZBH-9	2x ZBH-9	

1) The screws listed are not included with the drives.

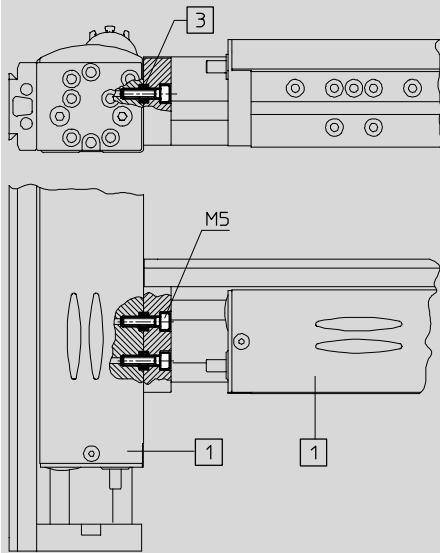
HMPL/HMPL combinations

Technical data

Dimensions

Download CAD data → www.festo.com/en/engineering

Direct mounting



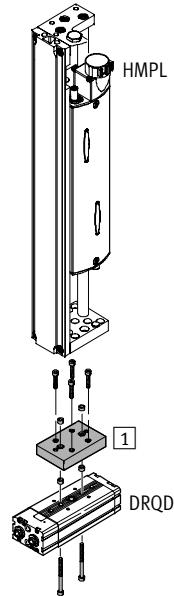
- 1 Linear module HMPL
- 3 Centring sleeve ZBH-9

HMPL/DRQD combinations

Technical data

Adapter kit HAPG

Material:
Wrought aluminium alloy, anodised
Centring sleeves: High-alloy steel
Free of copper, PTFE and silicone



Direct mounting

1 Adapter kit HAPG-36-S2

Ordering data						
Type	Semi-rotary drive DRQD ¹⁾					
	6	8	12	16	20	
	Part No.	Type	Part No.	Type	Part No.	Type
Direct mounting						
Linear module	12	2x M4x16 DIN 912 ²⁾	–	–	–	–
HMPL	16	193 920 HAPG-36-S2	2x M5x20 DIN 912 ²⁾	2x M5x20 DIN 912 ²⁾	192 707 HAPG-38	192 707 HAPG-38
	20	193 920 HAPG-36-S2	2x M5x20 DIN 912 ²⁾	2x M5x20 DIN 912 ²⁾	192 707 HAPG-38	192 707 HAPG-38

- 1) When using DRQD-8 and 12 with flanged shaft with air throughfeed SD32, the mounting type DRQD-...-B2 must be chosen.
2) The screws listed are not included with the drives.

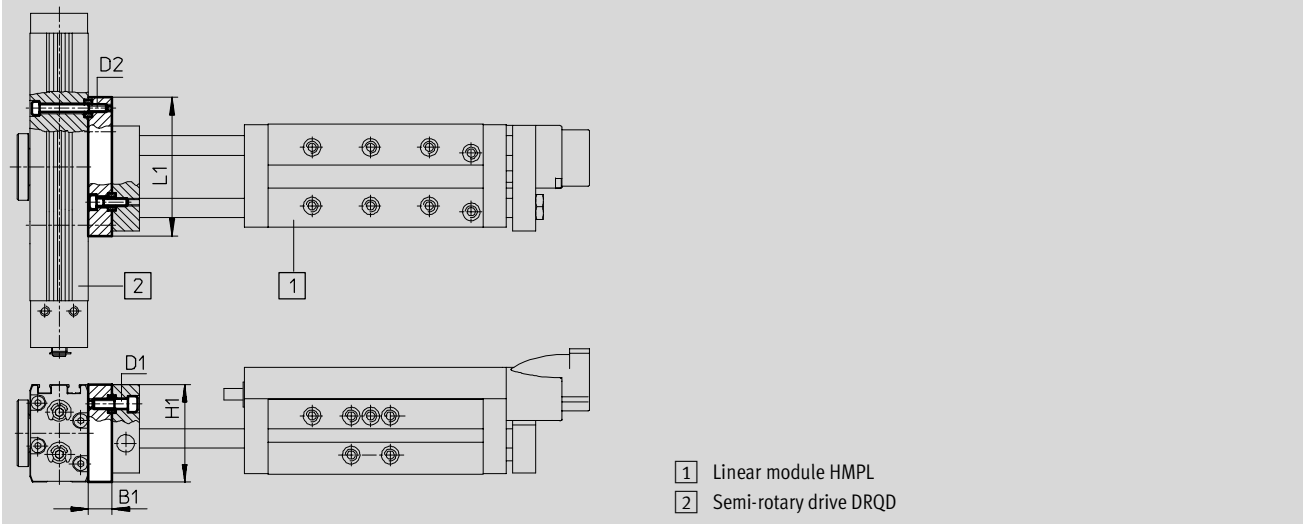
HMPL/DRQD combinations

Technical data

Dimensions

Download CAD data → www.festo.com/en/engineering

Direct mounting



Type	B1	D1	D2	H1	L1	CRC ¹⁾
HAPG-36-S2	12	M5	M4	42	50	2
HAPG-38				50	71	2

1) Corrosion resistance class 2 according to Festo standard 940 070
 Components requiring moderate corrosion resistance. Externally visible parts with primarily decorative surface requirements which are in direct contact with a surrounding industrial atmosphere or media such as cooling or lubricating agents.

SLT/SLT combinations

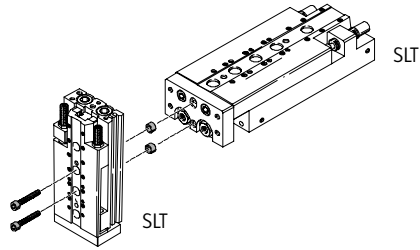
Technical data



Adapter kit

(user configured)

Material:
to DIN 912
Centring sleeves: High-alloy steel
Free of copper, PTFE and silicone



Direct mounting

Ordering data					
Type	Mini slide SLT				
	6	10	16	20	
	Part No.	Type	Part No.	Type	Part No. Type
Direct mounting ¹⁾					
Mini slide	10	2x M3x20 DIN 912	–	–	–
SLT		2x ZBH-5			
	16	–	2x M4x25 DIN 912	–	–
			2x ZBH-7		
	20	–	–	2x M5x30 DIN 912	–
				2x ZBH-9	
	25	–	–	–	2x M6x40 DIN 912
					2x ZBH-12

1) The screws listed are not included with the drives.

SLT/SLT combinations

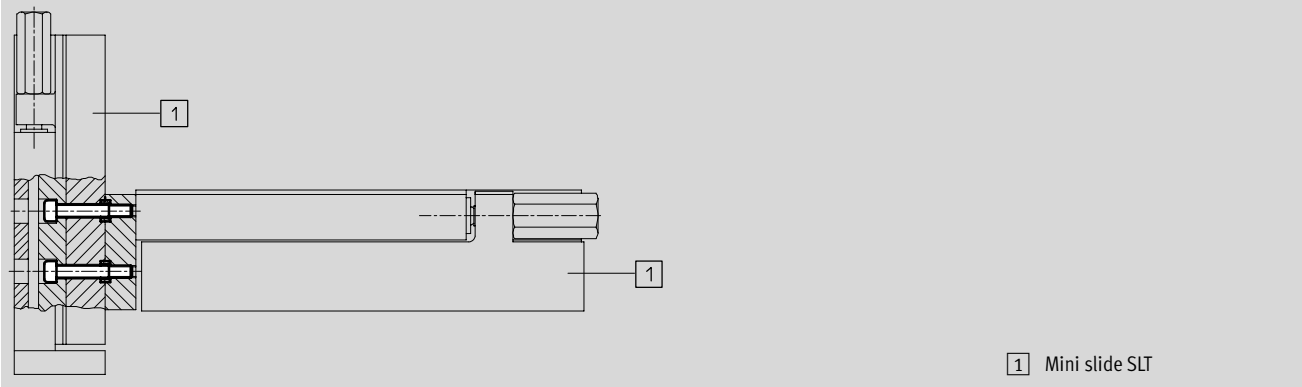
Technical data



Dimensions

Download CAD data → www.festo.com/en/engineering

Direct mounting



SLT/DRQD combinations

Technical data

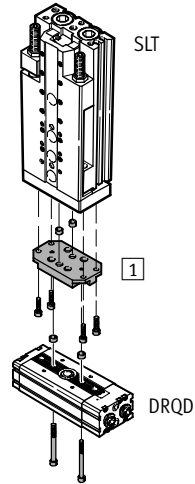
Adapter kit HAPS

Material:

Wrought aluminium alloy, anodised

Centring sleeves: High-alloy steel

Free of copper, PTFE and silicone



Direct mounting

1 Adapter kit HAPS-1

Ordering data											
Type	Semi-rotary drive DRQD										
	6	8		12		16		20			
	Part No.	Type	Part No.	Type	Part No.	Type	Part No.	Type	Part No.	Type	
Direct mounting											
Mini slide	6	178 447	HAPS-1	–	–	–	–	–	–	–	
SLT	10	–	–	178 448	HAPS-2	–	–	–	–	–	
	16	–	–	–	–	178 449	HAPS-3	–	–	–	
	20	–	–	–	–	–	–	178 450	HAPS-4	178 450	HAPS-4
	25	–	–	–	–	–	–	178 451	HAPS-5	178 451	HAPS-5

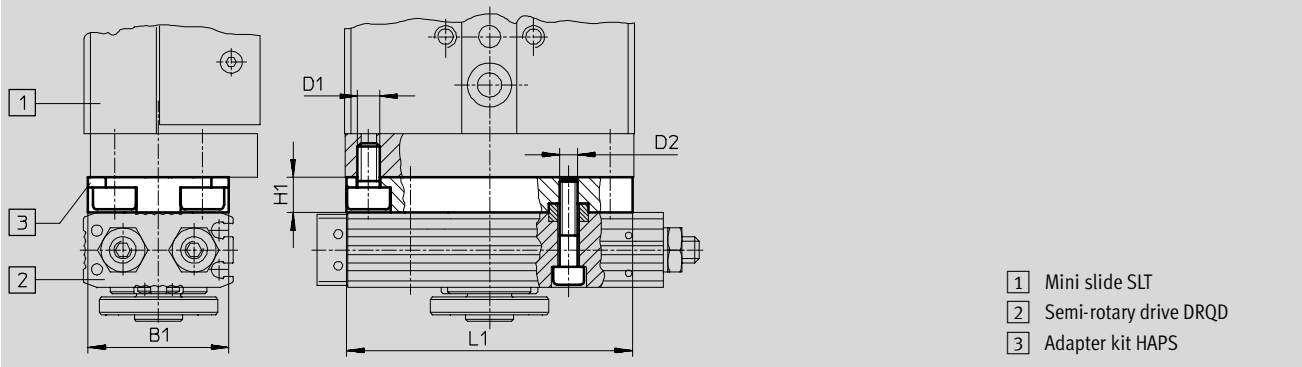
SLT/DRQD combinations

Technical data

Dimensions

Download CAD data → www.festo.com/en/engineering

Direct mounting



Type	B1	D1	D2	H1	L1	CRC ¹⁾
HAPS-1	16	M3	M4	8	36	2
HAPS-2	28	M4			48	2
HAPS-3	32	M5			65	2
HAPS-4	44		M5	80	2	
HAPS-5	58	M8	M6	12	91	2

1) Corrosion resistance class 2 according to Festo standard 940 070
 Components requiring moderate corrosion resistance. Externally visible parts with primarily decorative surface requirements which are in direct contact with a surrounding industrial atmosphere or media such as cooling or lubricating agents.

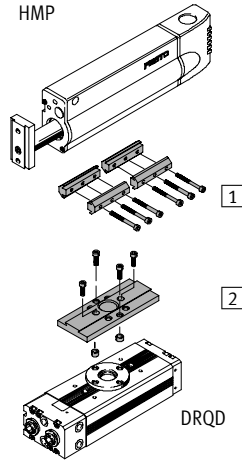
DRQD/HMP, HMPL, SLT combinations

Technical data

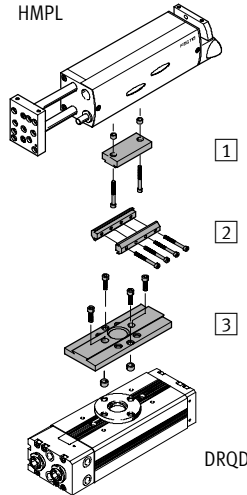


Adapter kit HMAV, HMSV

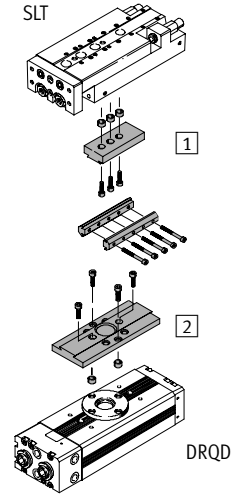
Material:
Wrought aluminium alloy, anodised
Centring sleeves: High-alloy steel
Free of copper, PTFE and silicone



- Dovetail mounting
- 1 Adapter kit HMSV-7
 - 2 Adapter kit HMAV-DRQD40/50



- Dovetail mounting
- 1 Adapter kit HMSV-46
 - 2 Adapter kit HMSV-1
 - 3 Adapter kit HMAV-DRQD40/50



- Dovetail mounting
- 1 Adapter kit HMSV-36
 - 2 Adapter kit HMAV-DRQD40/50

Ordering data						
Type	Linear module HMP		Linear module HMPL		Mini slide SLT	
	16, 20		12, 16, 20		16	20, 25
	Part No.	Type	Part No.	Type	Part No.	Type
Dovetail mounting						
Semi-rotary drive	40	533 804	533 804	533 804	533 804	533 804
DRQD		HMAV-DRQD40/50	HMAV-DRQD40/50	HMAV-DRQD40/50	HMAV-DRQD40/50	HMAV-DRQD40/50
		177 653 HMSV-7	193 923 HMSV-46	177 647 HMSV-1	178 331 HMSV-36	178 332 HMSV-37
	50	533 804	533 804	-	-	533 804
		HMAV-DRQD40/50	HMAV-DRQD40/50			HMAV-DRQD40/50
		177 653 HMSV-7	193 923 HMSV-46			178 332 HMSV-37
			177 647 HMSV-1			

DRQD/HMP, HMPL, SLT combinations

Technical data



Dimensions Download CAD data → www.festo.com/en/engineering

Dovetail mounting DRQD/HMP

- 1 Semi-rotary drive DRQD
- 2 Linear module HMP
- 3 Adapter kit HMAV-DRQD40/50
- 4 Adapter kit HMSV-7

Dovetail mounting DRQD/HMPL

- 1 Semi-rotary drive DRQD
- 2 Linear module HMPL
- 3 Adapter kit HMAV-DRQD40/50
- 4 Adapter kit HMSV-1
- 5 Adapter kit HMSV-46

Dovetail mounting DRQD/SLT

- 1 Semi-rotary drive DRQD
- 2 Mini slide SLT
- 3 Adapter kit HMAV-DRQD40/50
- 4 Adapter kit HMSV-36 or HMSV-37

Type	D1	H1	CRC ¹⁾
HMSV-36	M6	40	2
HMSV-37	M8	42	2

1) Corrosion resistance class 2 according to Festo standard 940 070
 Components requiring moderate corrosion resistance. Externally visible parts with primarily decorative surface requirements which are in direct contact with a surrounding industrial atmosphere or media such as cooling or lubricating agents.

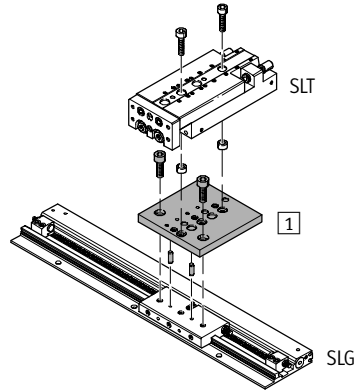
SLG/SLT combinations

Technical data



Adapter kit HAPS

Material:
Wrought aluminium alloy, anodised
Centring sleeves: High-alloy steel
Free of copper, PTFE and silicone



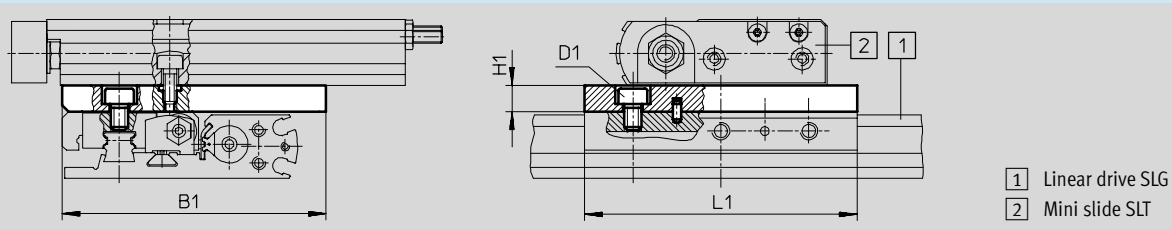
Direct mounting

1 Adapter kit HAPS-11

Ordering data										
Type	Mini slide SLT									
	6		10		16		20		25	
	Part No.	Type	Part No.	Type	Part No.	Type	Part No.	Type	Part No.	Type
Direct mounting										
Linear drive	8	189 533	HAPS-11	–	–	–	–	–	–	–
SLG	12	189 533	HAPS-11	189 533	HAPS-11	–	–	–	–	–
	18	–	–	189 534	HAPS-12	189 534	HAPS-12	–	–	–

Dimensions Download CAD data → www.festo.com/en/engineering

Direct mounting



Type	B1	D1	H1	L1	CRC ¹⁾
HAPS-11	60	M4	6	42	2
HAPS-12	70	M5	8	65	2

1) Corrosion resistance class 2 according to Festo standard 940 070
Components requiring moderate corrosion resistance. Externally visible parts with primarily decorative surface requirements which are in direct contact with a surrounding industrial atmosphere or media such as cooling or lubricating agents.

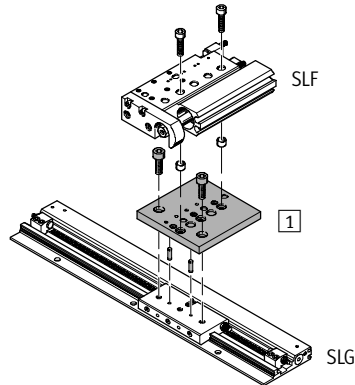
SLG/SLF combinations

Technical data



Adapter kit HAPS

Material:
Wrought aluminium alloy, anodised
Centring sleeves: High-alloy steel
Free of copper, PTFE and silicone

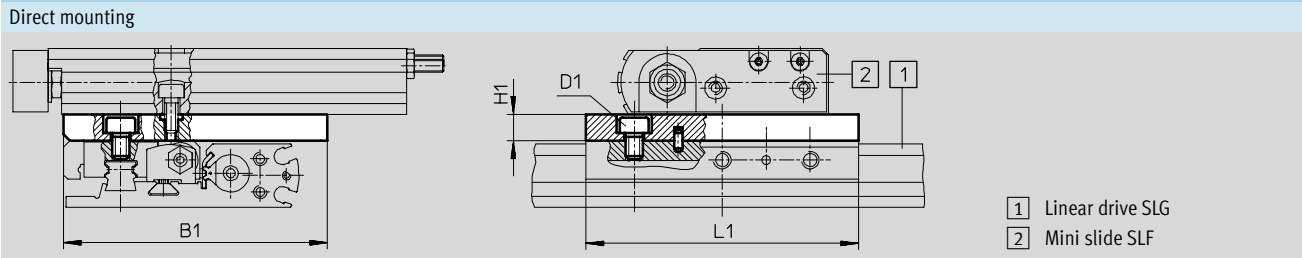


Direct mounting

1 Adapter kit HAPS-11

Ordering data						
Type	Mini slide SLF					
	6		10		16	
	Part No.	Type	Part No.	Type	Part No.	Type
Direct mounting						
Linear drive	8	189 533	HAPS-11	189 533	HAPS-11	-
SLG	12	189 533	HAPS-11	189 533	HAPS-11	189 533 HAPS-11
	18	-		189 534	HAPS-12	189 534 HAPS-12

Dimensions Download CAD data → www.festo.com/en/engineering



Type	B1	D1	H1	L1	CRC ¹⁾
HAPS-11	60	M4	6	42	2
HAPS-12	70	M5	8	65	2

1) Corrosion resistance class 2 according to Festo standard 940 070
Components requiring moderate corrosion resistance. Externally visible parts with primarily decorative surface requirements which are in direct contact with a surrounding industrial atmosphere or media such as cooling or lubricating agents.

DG.../HMP combinations

Technical data



Adapter kit HMAV-DL

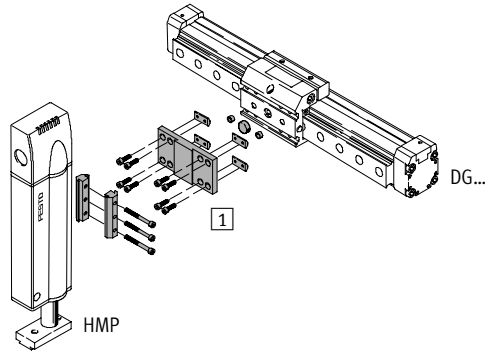
Material:

Wrought aluminium alloy, anodised

Centring sleeves: High-alloy steel

Slot nuts: Tempered steel

Free of copper, PTFE and silicone



Dovetail mounting

1 Adapter kit HMAV-DL40

Ordering data								
Type	Linear module HMP							
	16		20		25		32	
	Part No.	Type	Part No.	Type	Part No.	Type	Part No.	Type
Dovetail mounting								
Linear drive	25	176 005	HMAV-DL25	176 005	HMAV-DL25	–	–	–
DG...	32	176 006	HMAV-DL32	176 006	HMAV-DL32	176 006	HMAV-DL32	–
	40	–	–	176 007	HMAV-DL40	176 007	HMAV-DL40	176 007
	50	–	–	176 008	HMAV-DL50	176 008	HMAV-DL50	176 008
	63	–	–	176 009	HMAV-DL63	176 009	HMAV-DL63	176 009

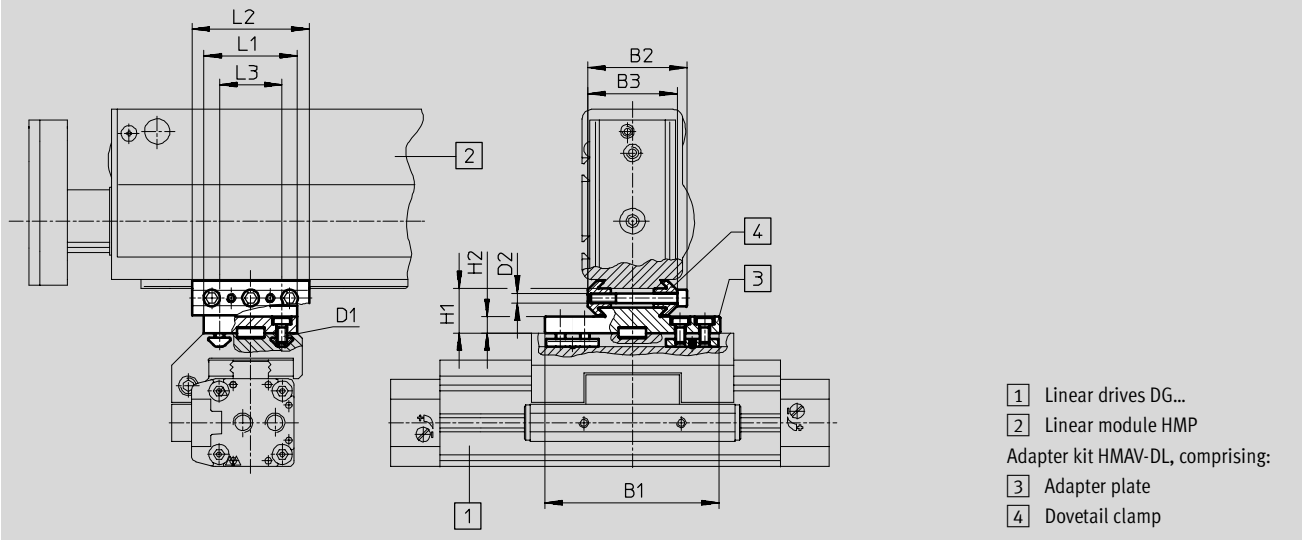
DG.../HMP combinations

Technical data



Dimensions Download CAD data → www.festo.com/en/engineering

Dovetail mounting



Type	B1	B2	B3	D1	D2	H1	H2	L1	L2	L3	CRC ¹⁾
HMAV-DL25	90	51	46	M5	M5	23	8.5	48	60	32	2
HMAV-DL32								63.5		47	2
HMAV-DL40								78	64	55	2
HMAV-DL50	80			M8		26	11.5	98	120	72	2
HMAV-DL63								120		90	2

1) Corrosion resistance class 2 according to Festo standard 940 070
 Components requiring moderate corrosion resistance. Externally visible parts with primarily decorative surface requirements which are in direct contact with a surrounding industrial atmosphere or media such as cooling or lubricating agents.

DG...-HD/HMP combinations

Technical data



Adapter kit HMAV-HD

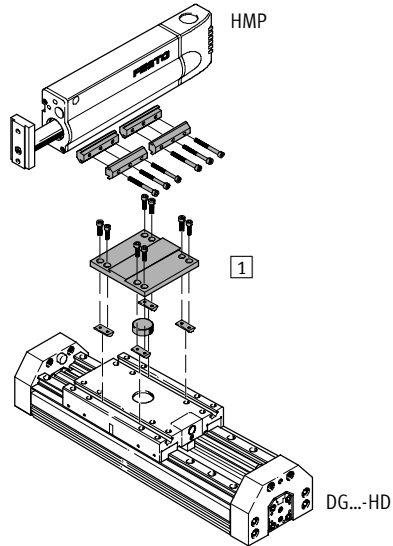
Material:

Wrought aluminium alloy, anodised

Centring sleeves: High-alloy steel

Slot nuts: Tempered steel

Free of copper, PTFE and silicone



Dovetail mounting

1 Adapter kit HMAV-HD18

Ordering data

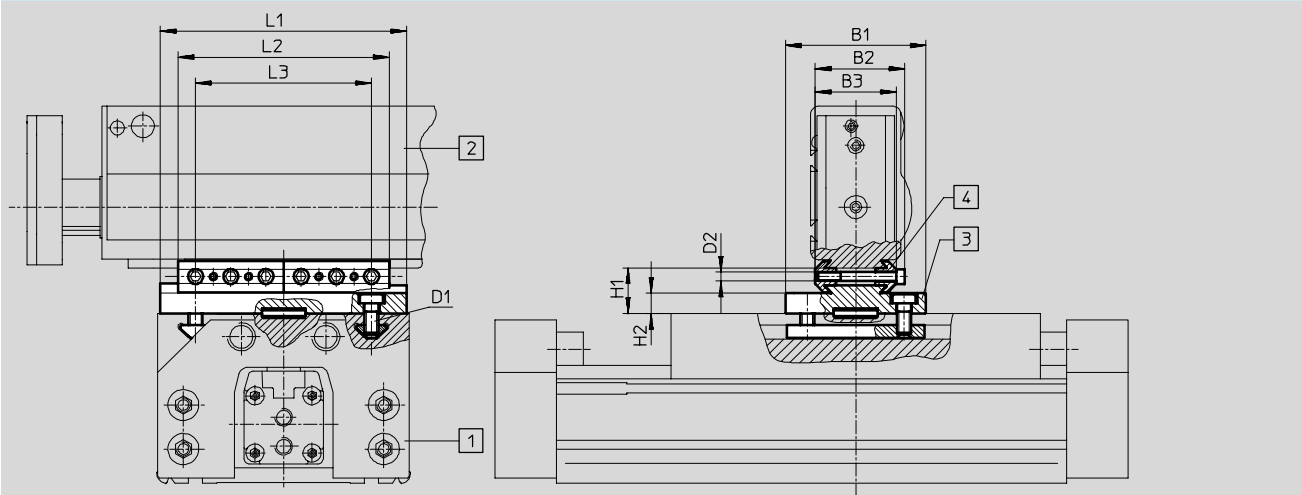
Type	Linear module HMP								
	16		20		25		32		
	Part No.	Type	Part No.	Type	Part No.	Type	Part No.	Type	
Dovetail connection									
Linear drive DG... with	18	176 002	HMAV-HD18	176 002	HMAV-HD18	176 002	HMAV-HD18	–	
heavy duty guide HD	25	–		176 003	HMAV-HD25	176 003	HMAV-HD25	176 003	HMAV-HD25
	40	–		176 004	HMAV-HD40	176 004	HMAV-HD40	176 004	HMAV-HD40

DG...-HD/HMP combinations

Technical data

Dimensions Download CAD data → www.festo.com/en/engineering

Dovetail mounting



- 1 Linear drives DG... with heavy duty guide HD
- 2 Linear module HMP
- Adapter kit HMAV-HD, comprising:
- 3 Adapter plate
- 4 Dovetail clamp

Type	B1	B2	B3	D1	D2	H1	H2	L1	L2	L3	CRC ¹⁾
HMAV-HD18	90	51	46	M5	M5	23	8.5	110	120	80	2
HMAV-HD25	80			M8		26	11.5	140		100	2
HMAV-HD40		180	180	140	2						

1) Corrosion resistance class 2 according to Festo standard 940 070
 Components requiring moderate corrosion resistance. Externally visible parts with primarily decorative surface requirements which are in direct contact with a surrounding industrial atmosphere or media such as cooling or lubricating agents.

DG.../HMPL combinations

Technical data



Adapter kit HMAV, HMSV

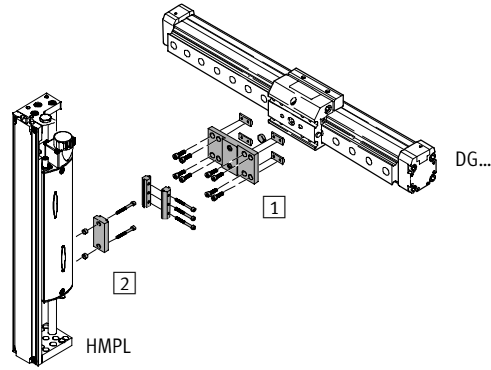
Material:

Wrought aluminium alloy, anodised

Centring sleeves: High-alloy steel

Slot nuts: Tempered steel

Free of copper, PTFE and silicone



Dovetail mounting

1 Adapter kit HMAV-DL25

2 Adapter kit HMSV-46

Ordering data							
Type		Linear module HMPL					
		12		16		20	
		Part No.	Type	Part No.	Type	Part No.	Type
Dovetail mounting							
Linear drives	DGPL-25	176 005	HMAV-DL25	176 005	HMAV-DL25	176 005	HMAV-DL25
	DGPIL-25	193 923	HMSV-46	193 923	HMSV-46	193 923	HMSV-46
	DGE-25-KF						
	DGE-25-RF						
	DGPL-32	–		176 006	HMAV-DL32	176 006	HMAV-DL32
	DGPIL-32			193 923	HMSV-46	193 923	HMSV-46
	DGPL-40	–		–		176 007	HMAV-DL40
	DGPIL-40					193 923	HMSV-46
	DGE-40-KF						
DGE-40-RF							

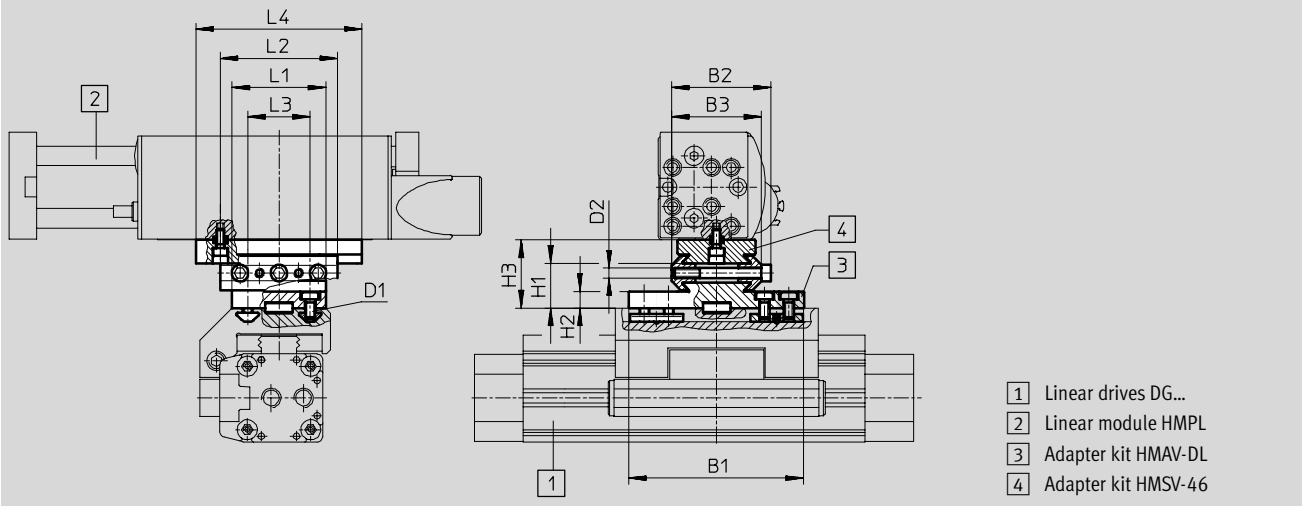
DG.../HMPL combinations

Technical data



Dimensions Download CAD data → www.festo.com/en/engineering

Dovetail mounting



Type	B1	B2	B3	D1	D2	H1	H2	H3	L1	L2	L3	L4	CRC ¹⁾
HMAV-DL25	90	51	46	M5	M5	23	8.5	35	48	60	32	85	2
HMSV-46									2				
HMAV-DL-32									63.5	47	2		
HMSV-46									2				
HMAV-DL40	90	51	46	M5	M5	23	8.5	35	78	64	55	85	2
HMSV-46									2				

1) Corrosion resistance class 2 according to Festo standard 940 070
 Components requiring moderate corrosion resistance. Externally visible parts with primarily decorative surface requirements which are in direct contact with a surrounding industrial atmosphere or media such as cooling or lubricating agents.

DG.../SLT combinations

Technical data



Adapter kit HMSV

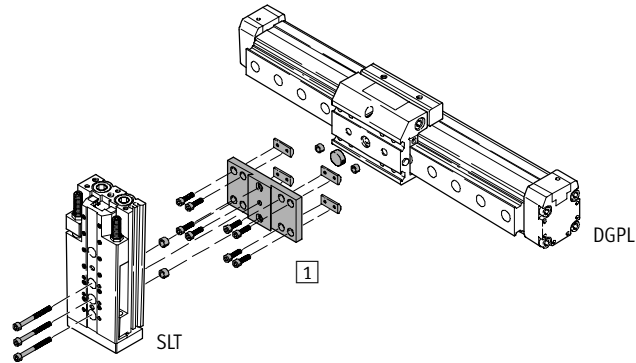
Material:

Wrought aluminium alloy, anodised

Centring sleeves: High-alloy steel

Slot nuts: Tempered steel

Free of copper, PTFE and silicone



Dovetail mounting

1 Adapter kit HMSV-43

Ordering data

Type		Mini slide SLT							
		10		16		20		25	
		Part No.	Type	Part No.	Type	Part No.	Type	Part No.	Type
Dovetail mounting									
Linear drives	DPGL-18	189 656	HMSV-40	189 657	HMSV-41	–		–	
	DGPL-25	–		189 658	HMSV-42	189 659	HMSV-43	–	
	DGPIL-25								
	DGE-25-KF								
	DGE-25-RF								
	DGPL-32	–		–		189 660	HMSV-44	189 661	HMSV-45
	DGPIL-32								

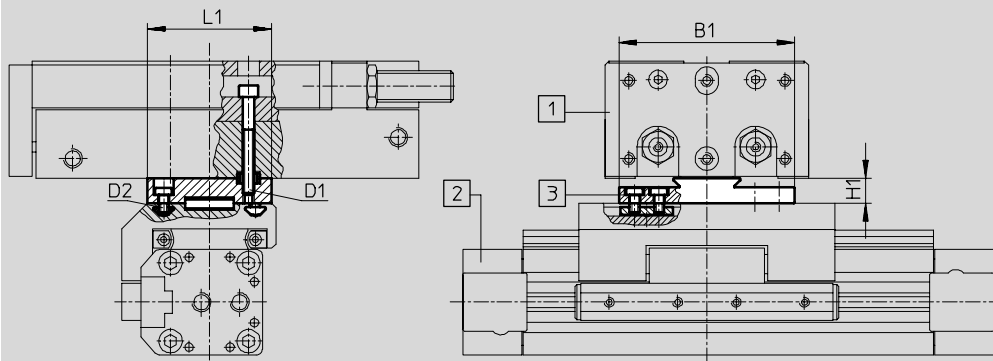
DG.../SLT combinations

Technical data



Dimensions Download CAD data → www.festo.com/en/engineering

Dovetail mounting



- 1 Mini slide SLT
- 2 Linear drives DG...
- 3 Adapter kit HMSV

Type	B1	D1	D2	H1	L1	CRC ¹⁾
HMSV-40	80	M4	M5	12	40	2
HMSV-41		M5				2
HMSV-42	90	M6		13	54	2
HMSV-43					2	
HMSV-44					63.5	2
HMSV-45						2

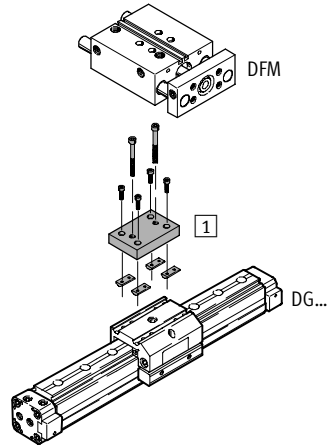
1) Corrosion resistance class 2 according to Festo standard 940 070
 Components requiring moderate corrosion resistance. Externally visible parts with primarily decorative surface requirements which are in direct contact with a surrounding industrial atmosphere or media such as cooling or lubricating agents.

DG.../DFM combinations

Technical data

Adapter kit HAPB

Material:
Wrought aluminium alloy, anodised
Slot nuts: Tempered steel
Free of copper, PTFE and silicone



Direct mounting

1 Adapter kit HAPB-20/25

Ordering data														
Type		Guide unit DFM												
		12		16		20		25		32		40		
		Part No.	Type	Part No.	Type	Part No.	Type	Part No.	Type	Part No.	Type	Part No.	Type	
Direct mounting														
Linear drives	DGPL-25	192 690		192 690		–		–		–		–		
	DGPIL-25	HAPB-12/16		HAPB-12/16		–		–		–		–		
	DGE-25-KF					–		–		–		–		
	DGE-25-RF					–		–		–		–		
	DGPL-32	–			–		192 691		192 691		–		–	
	DGPIL-32						HAPB-20/25		HAPB-20/25		–		–	
	DGPL-40	–		–		–		–		192 692		192 692		
	DGPIL-40									HAPB-32/40		HAPB-32/40		
	DGE-40-KF													
	DGE-40-RF													

DG.../DFM combinations

Technical data



Dimensions Download CAD data → www.festo.com/en/engineering

Direct mounting

1 Linear drive DG...
2 Guided drive DFM
3 Adapter kit HAPB

Type	B1	D1	D2	H1	L1	CRC ¹⁾
HAPB-12/16	60	M5	M4	13	105	2
HAPB-20/25	83		M5		115	2
HAPB-32/40	110		M6	15	132	2

1) Corrosion resistance class 2 according to Festo standard 940 070
 Components requiring moderate corrosion resistance. Externally visible parts with primarily decorative surface requirements which are in direct contact with a surrounding industrial atmosphere or media such as cooling or lubricating agents.

DG.../DG... combinations

Technical data



Adapter kit HAPB, connecting adapter kit HAVB

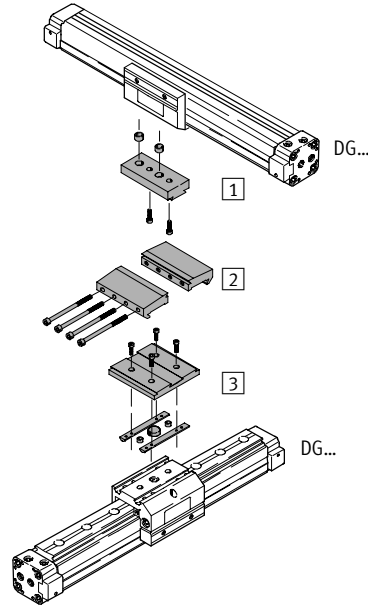
Material:

Wrought aluminium alloy, anodised

Centring sleeves: High-alloy steel

Slot nuts: Tempered steel

Free of copper, PTFE and silicone



Dovetail mounting

- 1 Adapter kit HAPB-2
- 2 Connecting adapter HAVB-8
- 3 Adapter kit HAPB-4

Ordering data

Type		Linear drives									
		DPGL-12		DGPL-18		DPGL-25		DPGL-32		DGPL-40	
		DGE-12-KF		DGE-18-KF		DGE-25-KF		DGPIL-32		DGE-40-KF	
		DGE-12-RF		DGE-18-RF		DGE-25-RF				DGE-40-RF	
		Part No.	Type	Part No.	Type	Part No.	Type	Part No.	Type	Part No.	Type
Dovetail mounting											
Linear drives	DGPL-25	163 200	HAPB-1	163 201	HAPB-2	163 202	HAPB-3 ¹⁾	–	–	–	–
	DGPIL-25	163 243	HAVB-7	163 244	HAVB-8	163 241	HAVB-5 ¹⁾	–	–	–	–
	DGE-25-KF	163 202	HAPB-3	163 202	HAPB-3						
	DGE-25-RF										
	DGPL-32	–		163 201	HAPB-2	163 202	HAPB-3	163 203	HAPB-4 ¹⁾	–	–
	DGPIL-32			163 244	HAVB-8	163 241	HAVB-5 ¹⁾	163 241	HAVB-5 ¹⁾		
				163 203	HAPB-4	163 203	HAPB-4				
	DGPL-40	–		–		163 202	HAPB-3	163 203	HAPB-4	163 204	HAPB-5 ¹⁾
	DGPIL-40					163 241	HAVB-5 ¹⁾	163 241	HAVB-5 ¹⁾	163 241	HAVB-5 ¹⁾
	DGE-40-KF					163 204	HAPB-5	163 204	HAPB-5		
	DGE-40-RF										

1) The kit is required 2x.

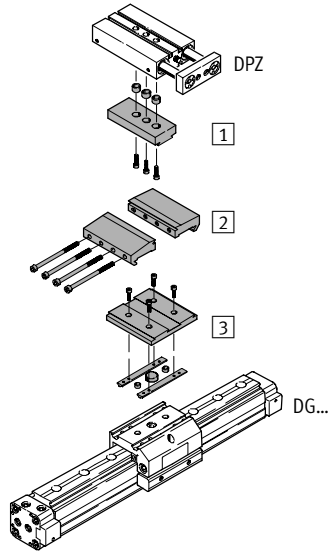
Dimensions from → 5 / 3.2-43

DG.../DPZ combinations

Technical data

Adapter kit HAPB, connecting adapter kit HAVB

Material:
 Wrought aluminium alloy, anodised
 Centring sleeves: High-alloy steel
 Slot nuts: Tempered steel
 Free of copper, PTFE and silicone



- Dovetail mounting
- 1 Adapter kit HAPB-18
 - 2 Connecting adapter HAVB-8
 - 3 Adapter kit HAPB-4

Ordering data									
Type	Twin cylinder DPZ								
	16		20		25		32		
	Part No.	Type	Part No.	Type	Part No.	Type	Part No.	Type	
Dovetail mounting									
Linear drive	DGPL-25	163 216	HAPB-17	163 217	HAPB-18	–	–	–	
	DGPIL-25	163 244	HAVB-8	163 244	HAVB-8	–	–	–	
	DGE-25-KF	163 202	HAPB-3	163 202	HAPB-3	–	–	–	
	DGE-25-RF	–	–	–	–	–	–	–	
	DGPL-32	163 216	HAPB-17	163 217	HAPB-18	163 218	HAPB-19	–	
	DGPIL-32	163 244	HAVB-8	163 244	HAVB-8	163 244	HAVB-8	–	
		163 203	HAPB-4	163 203	HAPB-4	163 203	HAPB-4	–	
	DGPL-40	–	–	163 217	HAPB-18	163 218	HAPB-19	163 219	HAPB-20
	DGPIL-40	–	–	163 244	HAVB-8	163 244	HAVB-8	163 244	HAVB-8
	DGE-40-KF	–	–	163 204	HAPB-5	163 204	HAPB-5	163 204	HAPB-5
	DGE-40-RF	–	–	–	–	–	–	–	–

Dimensions from → 5 / 3.2-43

DG.../DSL combinations

Technical data



Adapter kit HAPB, connecting adapter kit HAVB

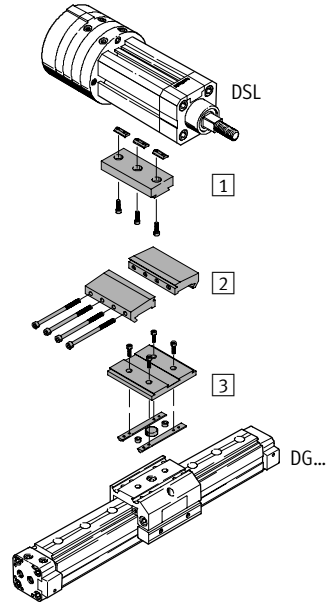
Material:

Wrought aluminium alloy, anodised

Centring sleeves: High-alloy steel

Slot nuts: Tempered steel

Free of copper, PTFE and silicone



Dovetail mounting

- 1 Adapter kit HAPB-15
- 2 Connecting adapter HAVB-8
- 3 Adapter kit HAPB-4

Ordering data									
Type		Swivel/linear unit DSL							
		16		20		25		32	
		Part No.	Type	Part No.	Type	Part No.	Type	Part No.	Type
Dovetail mounting									
Linear drives	DPGL-25	163 214	HAPB-15	163 214	HAPB-15	163 215	HAPB-16	-	
	DGPIL-25	163 244	HAVB-8	163 244	HAVB-8	163 244	HAVB-8	-	
	DGE-25-KF	163 202	HAPB-3	163 202	HAPB-3	163 202	HAPB-3	-	
	DGPL-32	-		163 214	HAPB-15	163 215	HAPB-16	163 215	HAPB-16
	DGPIL-32	-		163 244	HAVB-8	163 244	HAVB-8	163 244	HAVB-8
		-		163 203	HAPB-4	163 203	HAPB-4	163 203	HAPB-4
	DGPL-40	-		-		163 215	HAPB-16	163 215	HAPB-16
	DGPIL-40	-		-		163 244	HAVB-8	163 244	HAVB-8
DGE-40-KF	-		-		163 204	HAPB-5	163 204	HAPB-5	

Dimensions from → 5 / 3.2-43

Drive/drive combinations

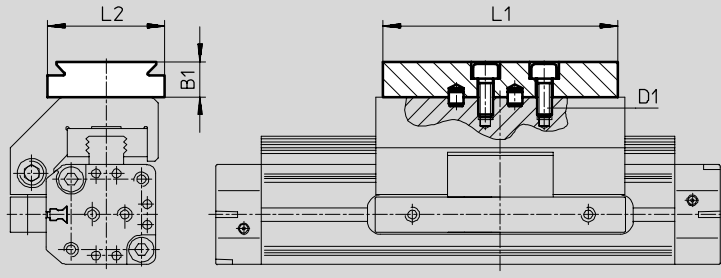
Technical data



Dimensions

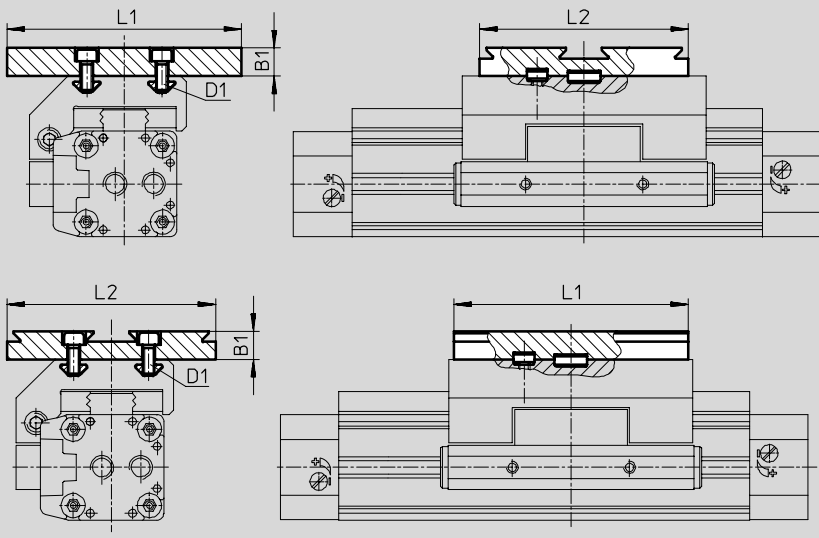
Download CAD data → www.festo.com/en/engineering

Dovetail mounting



Type	B1	D1	L1	L2	CRC ¹⁾
HAPB-1	12	M4	60	40	2
HAPB-2		M5	80		2

Dovetail mounting



Type	B1	D1	L1	L2	CRC ¹⁾
HAPB-3	12	M5	100	89	2
HAPB-4					2
HAPB-5					2

1) Corrosion resistance class 2 according to Festo standard 940 070

Components requiring moderate corrosion resistance. Externally visible parts with primarily decorative surface requirements which are in direct contact with a surrounding industrial atmosphere or media such as cooling or lubricating agents.

Drive/drive combinations

Technical data

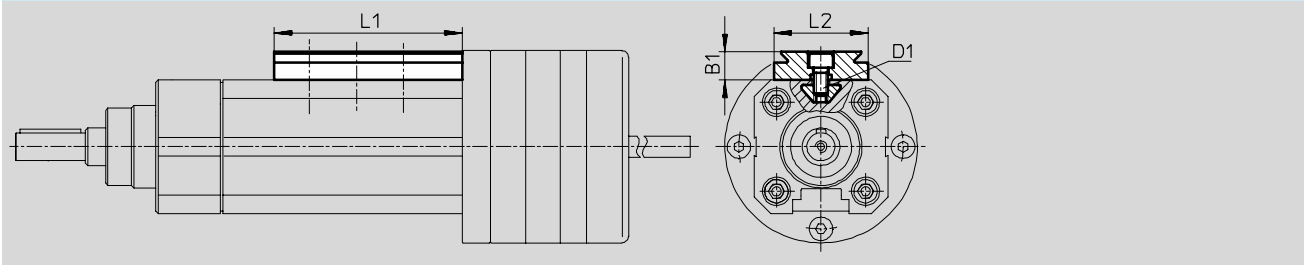
FESTO

System components
Adapters

3.2

Dimensions Download CAD data → www.festo.com/en/engineering

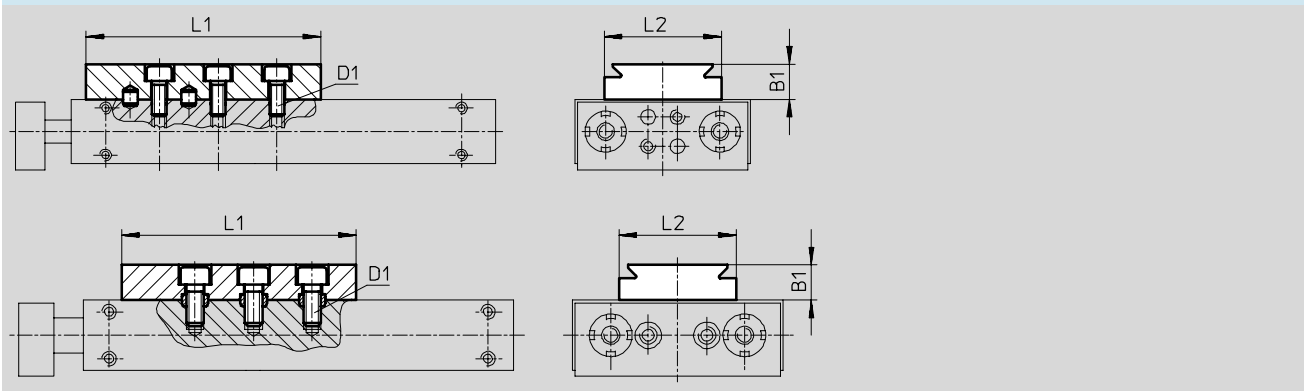
Dovetail mounting



Type	B1	D1	L1	L2	CRC ¹⁾
HAPB-15	12	M5	80	40	2
HAPB-16		M6			2

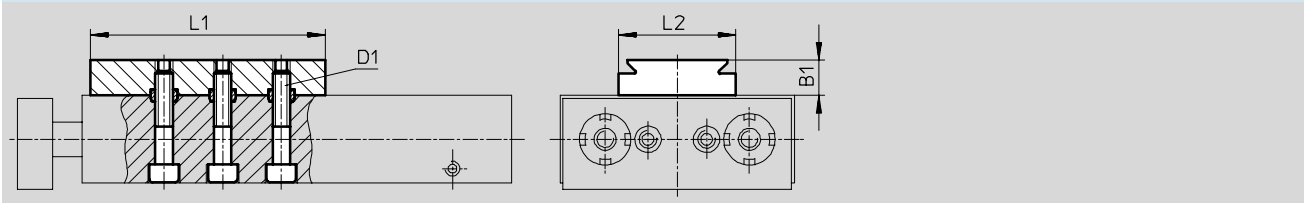
1) Corrosion resistance class 2 according to Festo standard 940 070
Components requiring moderate corrosion resistance. Externally visible parts with primarily decorative surface requirements which are in direct contact with a surrounding industrial atmosphere or media such as cooling or lubricating agents.

Dovetail mounting



Type	B1	D1	L1	L2	CRC ¹⁾
HAPB-17	12	M5	80	40	2
HAPB-18		M6			2

Dovetail mounting



Type	B1	D1	L1	L2	CRC ¹⁾
HAPB-19	12	M6	80	40	2
HAPB-20					2

1) Corrosion resistance class 2 according to Festo standard 940 070
Components requiring moderate corrosion resistance. Externally visible parts with primarily decorative surface requirements which are in direct contact with a surrounding industrial atmosphere or media such as cooling or lubricating agents.

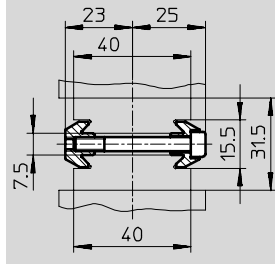
Drive/drive combinations

Technical data

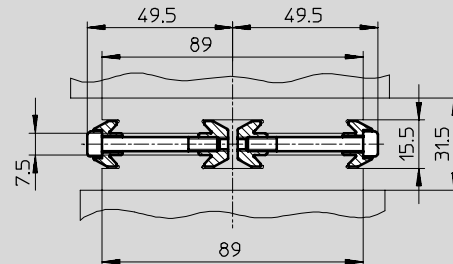
Dimensions Download CAD data → www.festo.com/en/engineering

Dovetail mounting

Assembly of two adapter plate kits with a connecting adapter kit



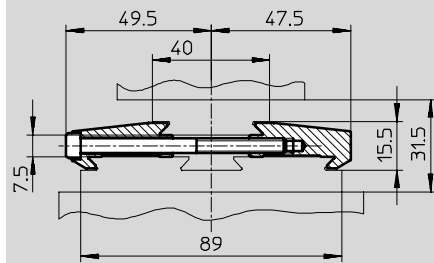
Assembly of two adapter plate kits with two connecting adapter kits



Type	Length L1 ¹⁾ [mm]	CRC ²⁾
HAVB-1	20	2
HAVB-2	40	2
HAVB-3	60	2
HAVB-4	80	2
HAVB-5	100	2

Dovetail mounting

Assembly of two adapter plate kits with a connecting adapter kit



Type	Length L1 ¹⁾ [mm]	CRC ²⁾
HAVB-6	40	2
HAVB-7	60	2
HAVB-8	80	2
HAVB-9	100	2

1) Length of the connecting adapter kit: compare with length L1 of the adapter kits HAPB.
 2) Corrosion resistance class 2 according to Festo standard 940 070
 Components requiring moderate corrosion resistance. Externally visible parts with primarily decorative surface requirements which are in direct contact with a surrounding industrial atmosphere or media such as cooling or lubricating agents.

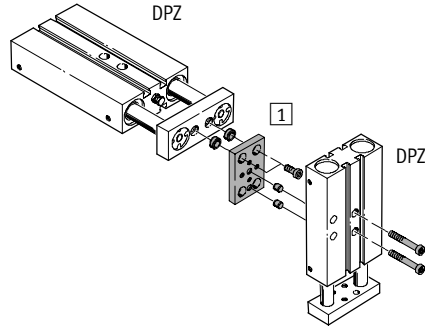
DPZ, SPZ/DPZ, SPZ combinations

Technical data



Adapter plate BPL

Material:
Wrought aluminium alloy, anodised
Centring sleeves: High-alloy steel
Free of copper, PTFE and silicone



Direct mounting

1 Adapter plate BPL-1

Ordering data											
Type		Twin cylinder DPZ, slide unit SPZ									
		10		16		20		25		32	
		Part No.	Type	Part No.	Type	Part No.	Type	Part No.	Type	Part No.	Type
Direct mounting											
Twin cylinder	10	–	–	–	–	–	–	–	–	–	–
DPZ,	16	–	–	–	–	–	–	–	–	–	–
slide unit SPZ	20	150 929	BPL-1	150 929	BPL-1	150 930	BPL-2	–	–	–	–
	25	150 929	BPL-1	150 929	BPL-1	150 930	BPL-2	150 931	BPL-3	–	–
	32	150 929	BPL-1	150 929	BPL-1	150 930	BPL-2	150 931	BPL-3	150 931	BPL-3

DPZ, SPZ/DPZ, SPZ combinations

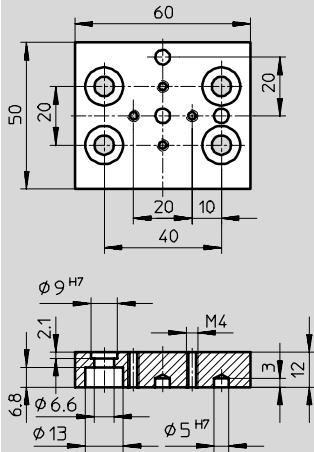
Technical data

Dimensions

Download CAD data → www.festo.com/en/engineering

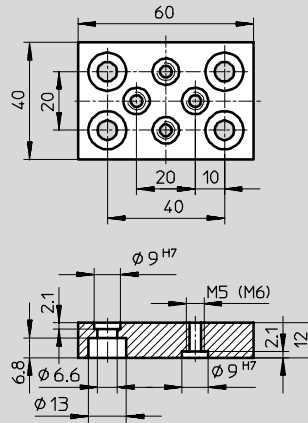
Direct mounting

BPL-1



BPL-2

BPL-3 (dimensions in brackets)



Type	CRC ¹⁾
BPL-1	2
BPL-2	2
BPL-3	2

1) Corrosion resistance class 2 according to Festo standard 940 070
 Components requiring moderate corrosion resistance. Externally visible parts with primarily decorative surface requirements which are in direct contact with a surrounding industrial atmosphere or media such as cooling or lubricating agents.