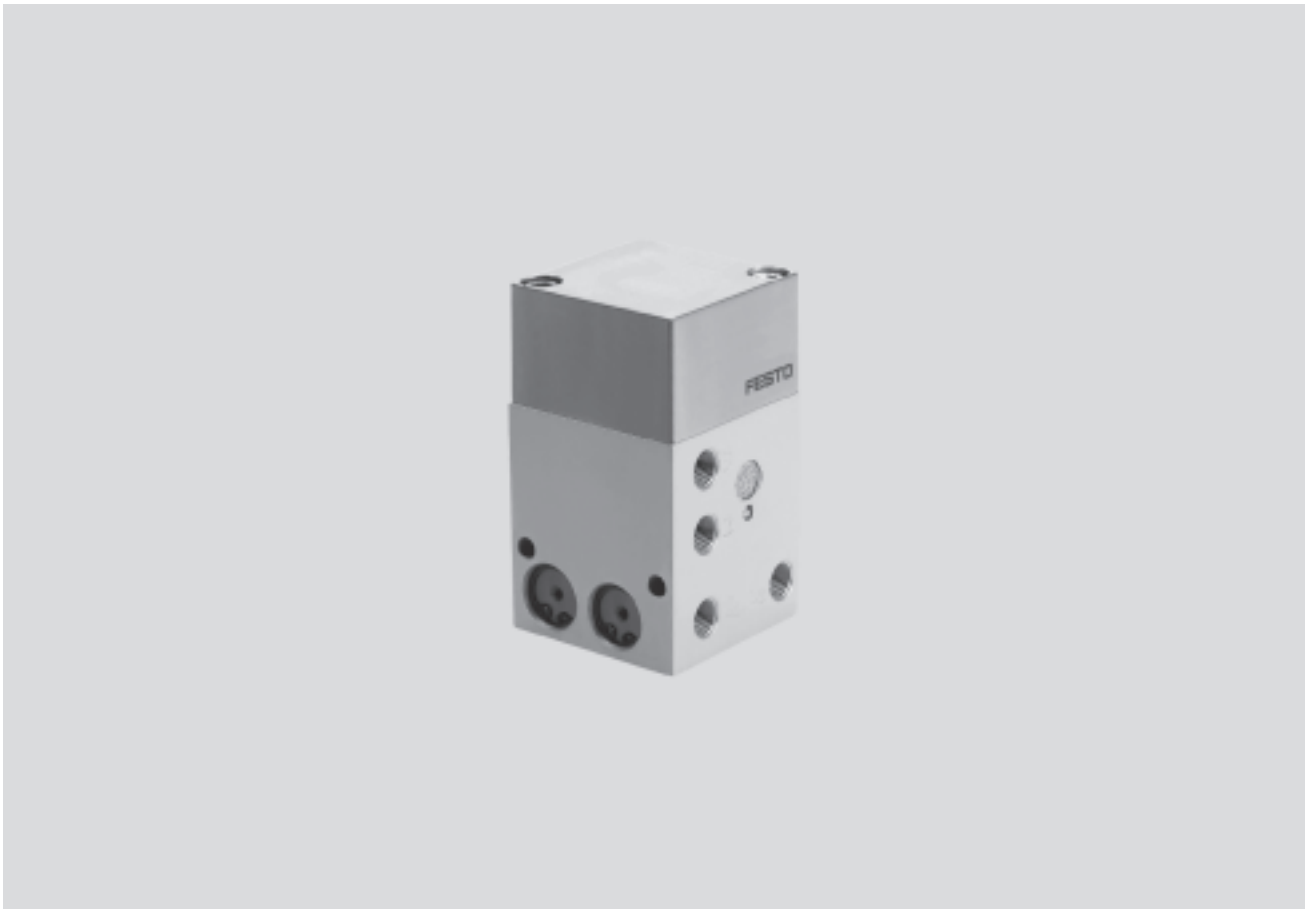


Control block for two-hand start ZSB

Key features



Safety component

This pneumatic start block is used where a manually-started operation, such as the triggering of compressed air cylinders, would otherwise involve danger for a machine operator, or with other devices where regulations require that machine operators have both hands clear of a danger zone when starting a machine.

A continuous signal will be present at the output A only if pressure is applied via 3/2-way pushbutton valves to the two valve inputs p1 and p2 simultaneously, within 0.2 to 0.5 seconds.

If one or both of the pushbutton valves are released, flow to the output is immediately interrupted and any cylinders or valves connected to output A are reversed. This start block is a safety component as defined by EU Machinery Directive

89/392/EU, Appendix 4, and is CE-certified. It falls within Category 1 as defined by EN 954 (only in conjunction with a pressure sequence valve such as VD-3-PK-3) and conforms to Type III A as defined by EN 574.

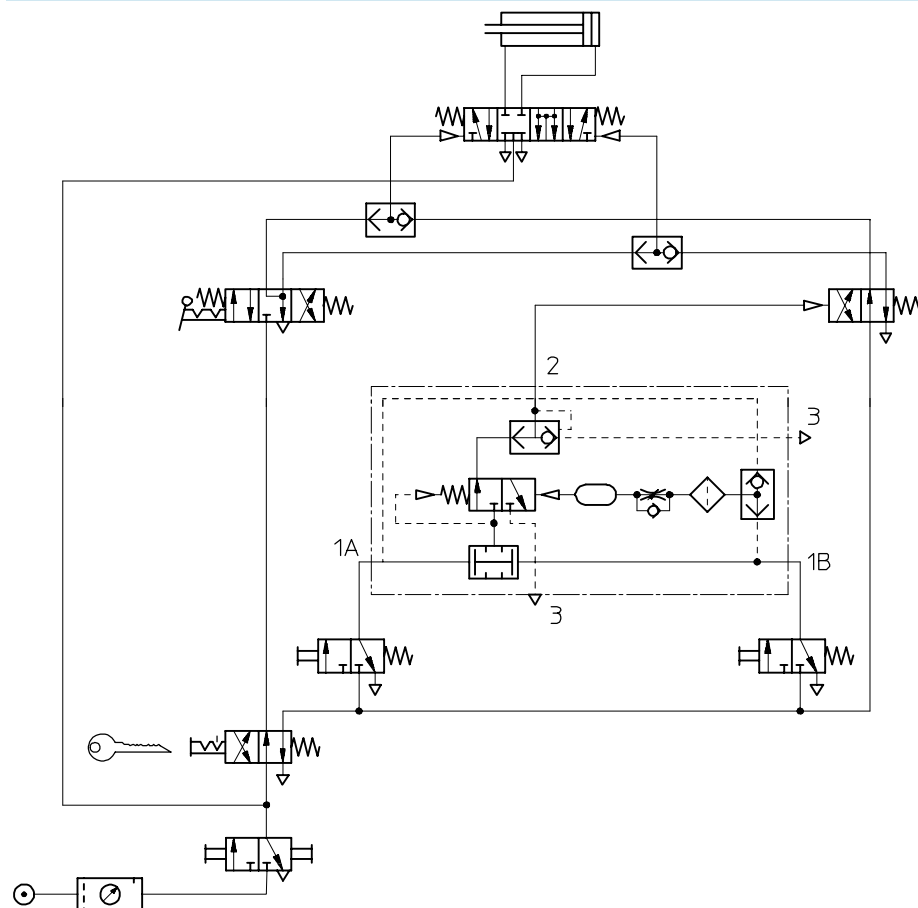
Control block for two-hand start ZSB

Technical data

Technical data	
Operating medium	Filtered compressed air, lubricated
Constructional design	Poppet valve
Nominal size [mm]	4
Standard nominal flow rate [l/min]	>50
1 → 2	
Input pressure [bar]	3 ... 8
Temperature range [°C]	-10 ... +60
Pneumatic connection	G1/8
Type of mounting	Mounting thread Through-holes in housing
Mounting position	Any
Materials	Housing: anodised aluminium; seals: nitrile rubber
Weight [g]	490

Sample circuit diagram

Showing positioning and hand valves for setting operations



Note
When installing the two pushbutton valves which actuate the start block, make sure that the protective function cannot easily be defeated, for example by pressing the pushbutton valves with the hand and elbow of the same arm. If necessary, the pushbutton valves should be fitted with an additional guard plate.

Control block for two-hand start ZSB

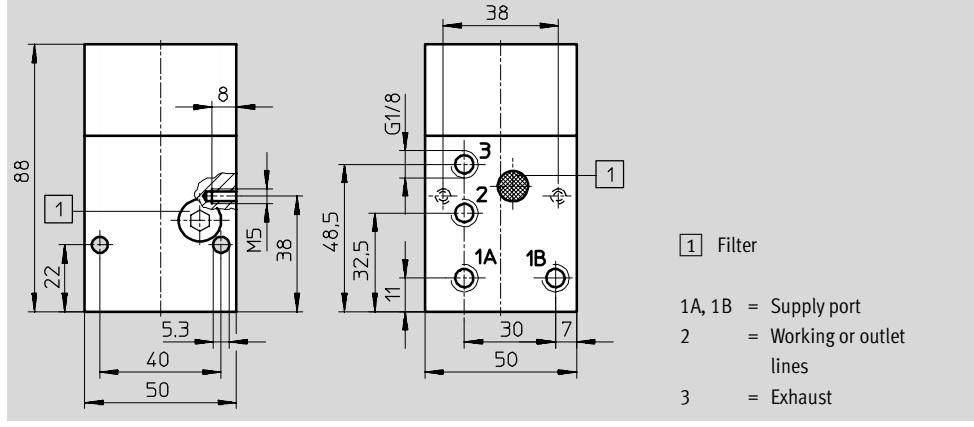
Technical data



Pneumatic control systems
Controller units

6.1

Dimensions Download CAD data → www.festo.com/en/engineering



Ordering data

Circuit symbol	Part No.	Type
	3 527	ZSB-1/8