

Threaded fittings

Technical data

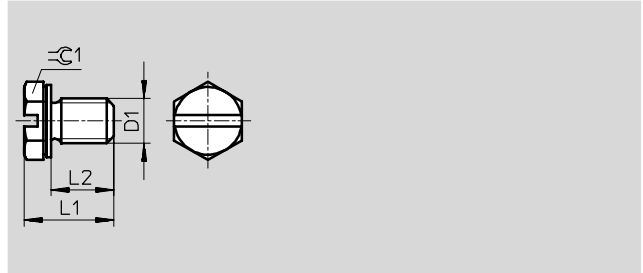
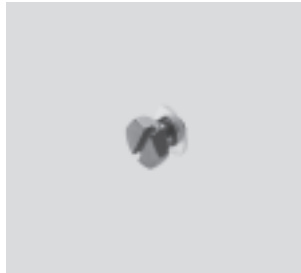


Blanking plug B-M3-S9

with sealing ring

Material:
High-alloy stainless steel

Free of copper, PTFE and silicone

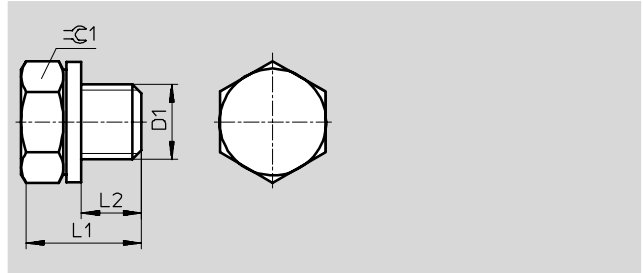


Blanking plug B-M5

with sealing ring

Material:
Aluminium

Free of copper, PTFE and silicone

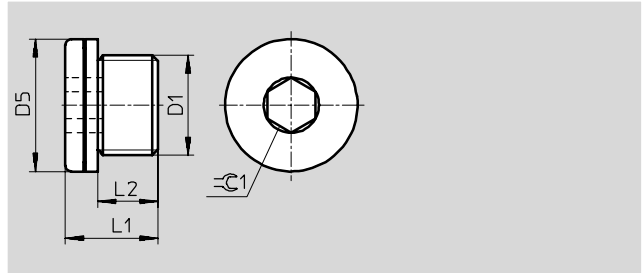


Blanking plug B

with sealing ring

Material:
Steel

Free of copper, PTFE and silicone



Dimensions and ordering data								
Connection	D5	L1	L2	$\approx C1$	Weight [g]	Part No.	Type	PU*
D1	\varnothing							
M thread								
M3	-	4.5	2.7	4.5	1	30 979	B-M3-S9 ¹⁾	10
M5	-	8	4	7	1	3 843	B-M5	10
	8	6.5	3.5	2.5	2	534 212	B-M5-100	100
M7	9.5	8	5.5	3	2	174 308	B-M5-B	10
						174 309	B-M7	10
G thread								
G $\frac{1}{8}$	14	11	6.5	5	5	3 568	B- $\frac{1}{8}$	10
						534 213	B- $\frac{1}{8}$ -100	100
G $\frac{1}{4}$	18	15	10	6	15	3 569	B- $\frac{1}{4}$	10
						534 214	B- $\frac{1}{4}$ -50	50
G $\frac{3}{8}$	22	15	10	8	22	3 570	B- $\frac{3}{8}$	10
						534 215	B- $\frac{3}{8}$ -20	20
G $\frac{1}{2}$	26	18	12	10	43	3 571	B- $\frac{1}{2}$	10
						534 216	B- $\frac{1}{2}$ -20	20
G $\frac{3}{4}$	32	20	14	12	73	3 572	B- $\frac{3}{4}$	1
G1	39	21	14	17	153	5 763	B-1	1

* Packaging unit quantity
1) Corrosion and acid resistant version

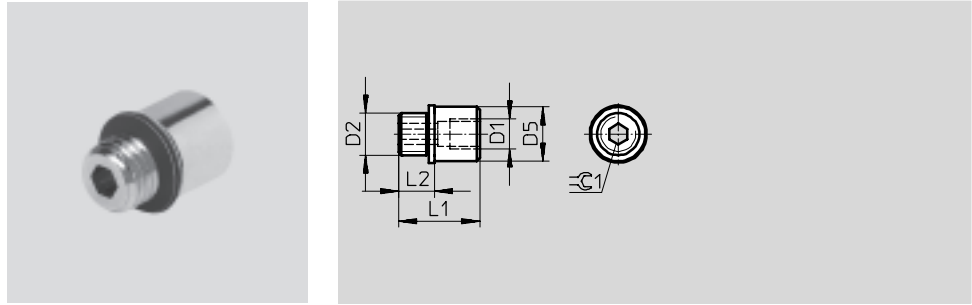
Core Range

Threaded fittings

Technical data

Reducing nipple D with sealing ring

Material:
Brass

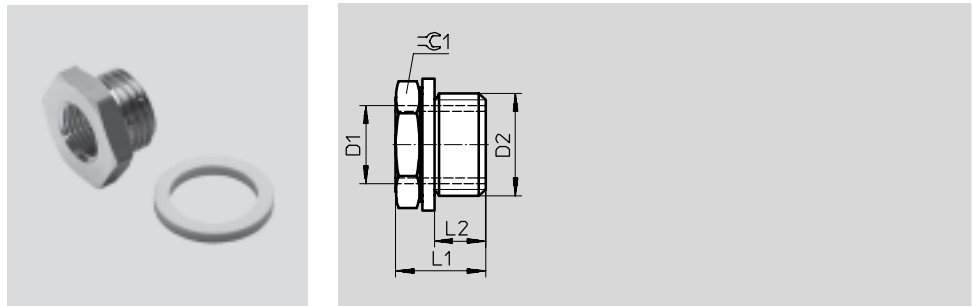


Dimensions and ordering data									
Connection		D5	L1	L2	≡C 1	Weight [g]	Part No.	Type	PU*
D1	D2								
M5	M7	9	13.5	6	3	43	161 359	D-M5I-M7A-ISK	10

* Packaging unit quantity

Reducing nipple D with sealing ring

Material:
Brass
D-M3I-M5A-S9:
High-alloy stainless steel



Dimensions and ordering data								
Connection		L1	L2	≡C 1	Weight [g]	Part No.	Type	PU*
D1	D2							
M thread								
M3	M5	6	3.5	7	1	30 980	D-M3I-M5A-S9 ¹⁾	10
M5 6 mm deep	G1/8	9.5	5	13	10	3 842	D-M5I-1/8A ²⁾	10
						534 208	D-M5I-1/8A-100	100
M5	G1/4	10.5	4.5	17	12	197 632	D-M5I-1/4A	10
M7	G1/8	9.5	5.0	13	-	534 144	D-M7I-1/8A	10
G thread								
G1/8	G1/4	10.5	4.5	17	8	3 577	D-1/8I-1/4A	10
						534 209	D-1/8I-1/4A-100	100
	G3/8	14	7	19	-	534 147	D-1/8I-3/8A	10
G1/4	G3/8	15.5	8.5	19	14	3 581	D-1/4I-3/8A	10
						534 210	D-1/4I-3/8A-50	50
	G1/2	18.5	11.5	24	36	197 633	D-1/4I-1/2A	10
G3/8	G3/4	20.4	10	32	-	534 145	D-1/4I-3/4A	10
						3 585	D-3/8I-1/2A	10
	G1/2	18.5	11.5	24	25	534 211	D-3/8I-1/2A-20	20
G1/2	G3/4	20.4	10	32	-	534 146	D-3/8I-3/4A	10
						3 588	D-1/2I-3/4A	1
	G1	24	14	32	45	197 634	D-1/2I-1A	1
G3/4	G1	23	13	36	55	9 168	D-3/4I-1A	1
						197 634	D-1/2I-1A	1

1) Corrosion and acid resistant version

2) Free of copper, PTFE and silicone

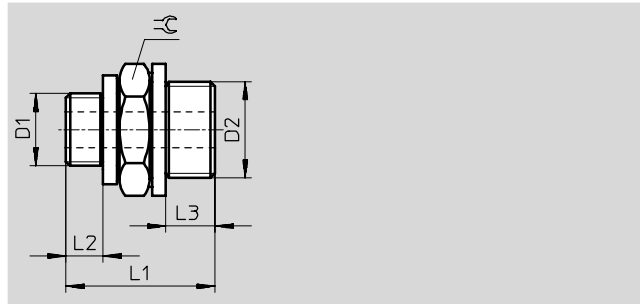
* Packaging unit quantity




Core Range

Threaded fittings


Technical data

Double nipple E
with 2 sealing rings



Dimensions and ordering data										
Connection		Nominal size	L1	L2	L3	≅G	Weight [g]	Part No.	Type	PU*
D1	D2									
M thread – High-alloy steel										
M3	M3	1.7	8.4	2.7	2.7	4.5	1	30 987	E-M3-M3-S9*	10
M thread – Steel										
M5	M5	2.5	12.4	3.5	3.5	7	2	4 139	E-M5-M5	10
	G1/8	2.5	15	3.5	5	13	1	4 138	E-M5-1/8¹⁾	10
									534 204	E-M5-1/8-100¹⁾
G thread – Aluminium										
G1/8	G1/8	4.5	17	5	5	13	1	3 573	E-1/8-1/8	10
	G1/4	4.5	20	5	6.5	17	1	3 574	E-1/8-1/4¹⁾	10
									534 205	E-1/8-1/4-100¹⁾
G1/4	G1/4	6.5	22	6.5	6.5	17	1	3 575	E-1/4-1/4	10
	G3/8	6.5	24	6.5	8.5	19	10	3 576	E-1/4-3/8¹⁾	10
									534 206	E-1/4-3/8-50¹⁾
G3/8	G3/8	9.0	26	8.5	8.5	19	10	3 578	E-3/8-3/8	10
	G1/2	9.0	31	8.5	11.5	24	20	3 579	E-3/8-1/2¹⁾	1
									534 207	E-3/8-1/2-20¹⁾
G1/2	G1/2	13.0	34	11.5	11.5	24	20	3 580	E-1/2-1/2	1
	G3/4	13.0	35.5	11.5	12	32	35	3 582	E-1/2-3/4	1
G3/4	G3/4	18.0	36	12	12	32	30	3 584	E-3/4-3/4	1
M thread – Brass										
M7	G1/8	4.5	17	5	5	13		534 148	E-M7-1/8-MS	 New 10
G thread – Brass										
G1/8	G1/8	4.5	17	5	5	13	10	15 621	E-1/8-1/8-MS	10
	G1/4	4.5	20	5	6.5	17	20	15 622	E-1/8-1/4-MS	10
	G3/8	5.3	20.4	5	7	19	25	534 150	E-1/8-3/8-MS	 New 10
G1/4	G1/4	6.5	22	6.5	6.5	17	20	15 623	E-1/4-1/4-MS	10
	G3/8	6.5	24	6.5	8.5	19	30	15 624	E-1/4-3/8-MS	10
	G1/2	8	25.5	6	8.5	24	30	534 149	E-1/4-1/2-MS	 New 10
G3/8	G3/8	9	26	8.5	8.5	19	30	15 625	E-3/8-3/8-MS	10
	G1/2	9	31	8.5	11.5	24	53	15 626	E-3/8-1/2-MS	1
G1/2	G1/2	13	34	11.5	11.5	24	52	15 627	E-1/2-1/2-MS	1
	G3/4	13	35.5	11.5	12	32	100	15 628	E-1/2-3/4-MS	1
G3/4	G3/4	18	36	12	12	32	100	15 629	E-3/4-3/4-MS	1

* Packaging unit quantity
1) Free of copper, PTFE and silicone

 Core Range

Threaded fittings

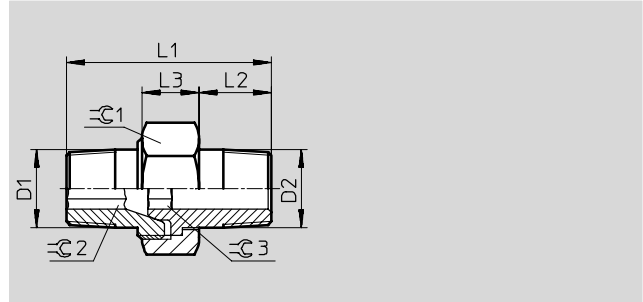
Technical data




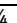


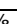

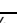
Double nipple ESK

adjustable for angular compensation

Material:

Brass



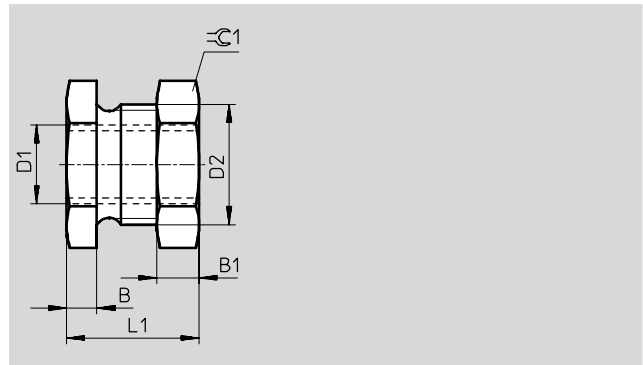
Dimensions and ordering data										
Connection	D2	L1	L2	L3	⌀1	⌀2	⌀3	Part No.	Type	PU*
D1										
R1/8	R1/8	27	9	8.5	15	5	5	151 520	ESK-1/8-1/8	 New 1
	R1/4	30.6	12	9.5	19	5	6	534 151	ESK-1/8-1/4	 New 1
	R3/8	34.5	13	10	22	5	8	534 155	ESK-1/8-3/8	 New 1
R1/4	R1/4	34	12	9.5	19	6	6	151 521	ESK-1/4-1/4	 New 1
	R3/8	36	13	10	22	6	8	534 152	ESK-1/4-3/8	 New 1
	R1/2	40.5	16	12	27	6	12	534 153	ESK-1/4-1/2	 New 1
R3/8	R3/8	36	13	10	22	8	8	151 522	ESK-3/8-3/8	 New 1
	R1/2	44	16	12	27	8	12	534 154	ESK-3/8-1/2	 New 1
R1/2	R1/2	44	16	12	27	12	12	151 523	ESK-1/2-1/2	 New 1

* Packaging unit quantity

Female bulkhead connector SCM

Material:

Blue anodised aluminium



Dimensions and ordering data									
Connection	D5	B	B1	L1	⌀1	Weight [g]	Part No.	Type	PU*
D1									
M5	M10x1	4	3.5	15.5	13	5	9 969	SCM-M5	1
G1/8	M14x1.5	5	5	20	17	10	9 970	SCM-1/8	1
G1/4	M20x1.5	5	7	22	24	28	9 971	SCM-1/4	1
G3/8	M24x1.5	8	8.5	26.5	27	34	9 972	SCM-3/8	1
G1/2	M30x1.5	8	10.5	28.5	36	78	9 973	SCM-1/2	1

* Packaging unit quantity

 Core Range

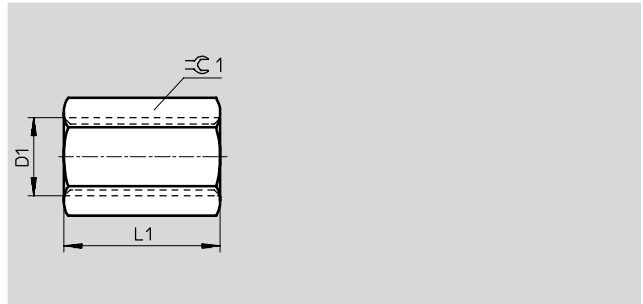
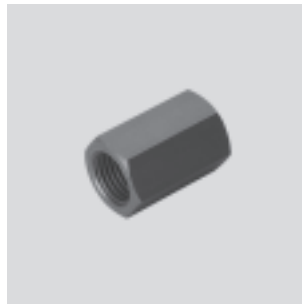
Threaded fittings

Technical data



Pipe coupling sleeve QM

Material:
Blue anodised aluminium
QM-M5-M5:
Steel

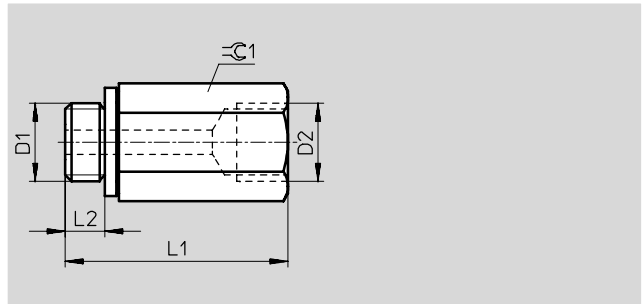


Dimensions and ordering data						
Connection	L1	$\varnothing 1$	Weight [g]	Part No.	Type	PU*
M5	12	7	1	3 560	QM-M5-M5	10
G $\frac{1}{8}$	22	13	6	2 254	QM- $\frac{1}{8}$ - $\frac{1}{8}$	10
G $\frac{1}{4}$	26	17	9	2 255	QM- $\frac{1}{4}$ - $\frac{1}{4}$	10
G $\frac{3}{8}$	32	22	16	2 256	QM- $\frac{3}{8}$ - $\frac{3}{8}$	10
G $\frac{1}{2}$	36	27	31	2 257	QM- $\frac{1}{2}$ - $\frac{1}{2}$	1
G $\frac{3}{4}$	36	32	36	4 226	QM- $\frac{3}{4}$ - $\frac{3}{4}$	1
G1	40	41	80	9 968	QM-1-1	1

* Packaging unit quantity

Pipe coupling sleeve QM with sealing ring

Material:
Blue anodised aluminium
QM-M5:
Steel



Dimensions and ordering data								
Connection	D2	L1	L2	$\varnothing 1$	Weight [g]	Part No.	Type	PU*
M5	M5	18.7	3.4	7	4	36 169	QM-M5-A/I	10
G $\frac{1}{8}$	G $\frac{1}{8}$	25.6	4.8	13	7	36 170	QM- $\frac{1}{8}$ -A/I	10
G $\frac{1}{4}$	G $\frac{1}{4}$	36	5.5	17	15	36 171	QM- $\frac{1}{4}$ -A/I	10
G $\frac{3}{8}$	G $\frac{3}{8}$	37.8	6.5	19	16	36 172	QM- $\frac{3}{8}$ -A/I	10
G $\frac{1}{2}$	G $\frac{1}{2}$	52	7.5	24	36	187 387	QM- $\frac{1}{2}$ A/I	1

* Packaging unit quantity

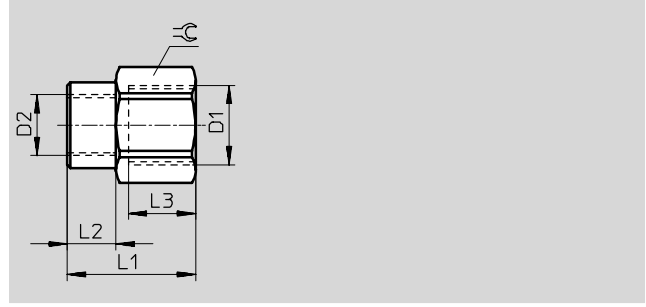
Core Range

Threaded fittings

Technical data

Reducing sleeve QMR

Material:
Nickel plated brass



Dimensions and ordering data								
Connection	D2	L1	L2	L3	⊖	Part No.	Type	PU*
M thread								
G ¹ / ₈	M5	17	9	5	14	153 281	QMR- ¹ / ₈ -M5-B	10
G thread								
G ¹ / ₄	G ¹ / ₈	21	12	8	17	153 282	QMR- ¹ / ₄ - ¹ / ₈ -B	10
G ³ / ₈	G ¹ / ₄	25	12	11	21	153 283	QMR- ³ / ₈ - ¹ / ₄ -B	10
G ¹ / ₂	G ³ / ₈	33	14	12	24	153 284	QMR- ¹ / ₂ - ³ / ₈ -B	1

* Packaging unit quantity