



- Maximum torsional rigidity for high forces
- Widely-spaced piston rods for high loadcapacity
- Plain bearing or recirculating ball bearing guide

Specified types in accordance with ATEX directive for potentially explosive atmospheres

→ www.festo.com/en/ex

Slide units SPZ, twin piston

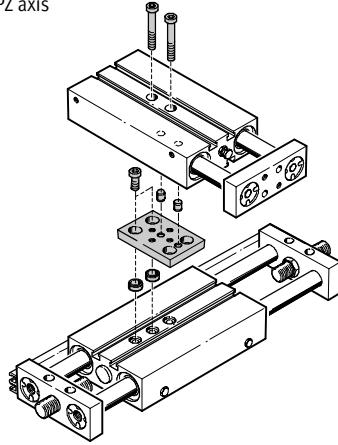
Key features



Multi-axis and drive combinations

The slide unit SPZ can be combined with different drives. An adapter kit is required for mounting between the two drives.

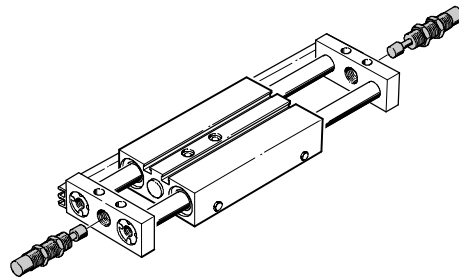
DPZ-/SPZ axis



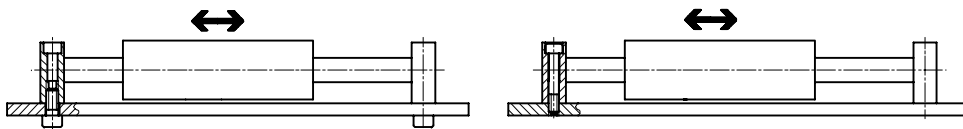
Adapter kits
→ Volume 5

Shock absorbers for slide operation

- From 30 ... 900 mm/s
- In slide operation, shock absorbers provide highly dynamic but gentle operating characteristics



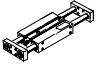
Slide operation SPZ...

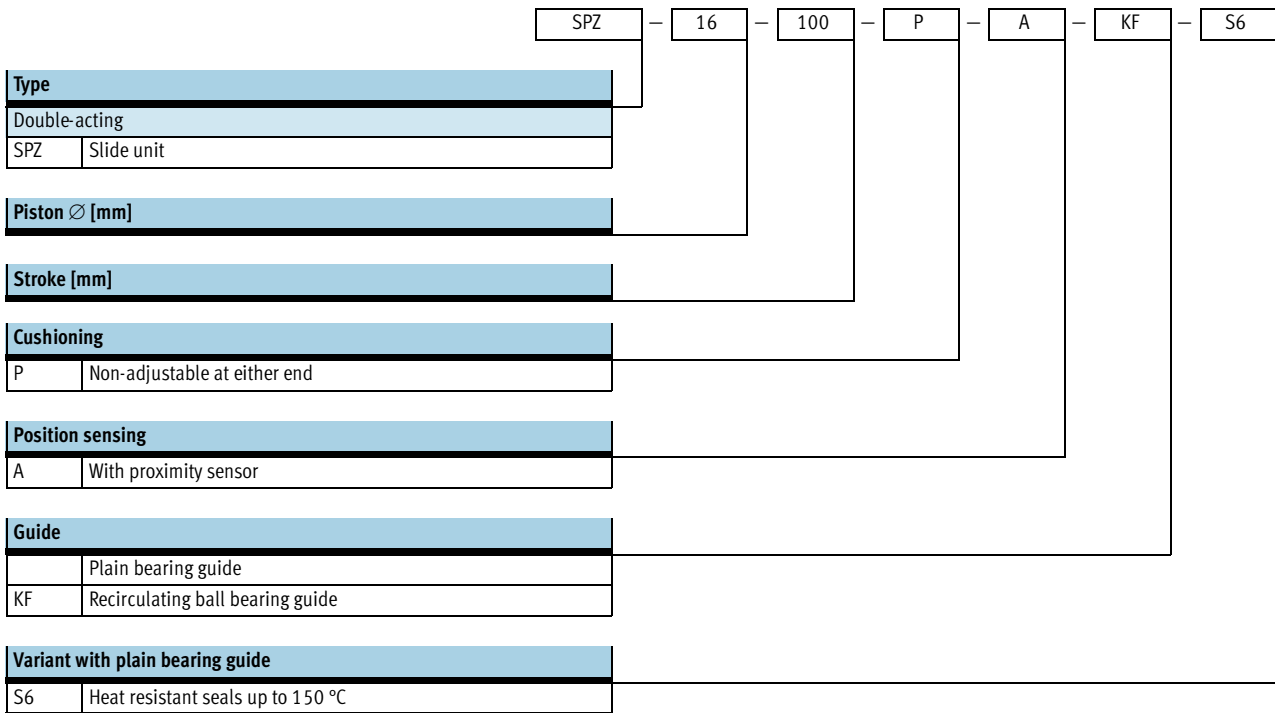


Slide units SPZ, twin piston

Overview and type codes

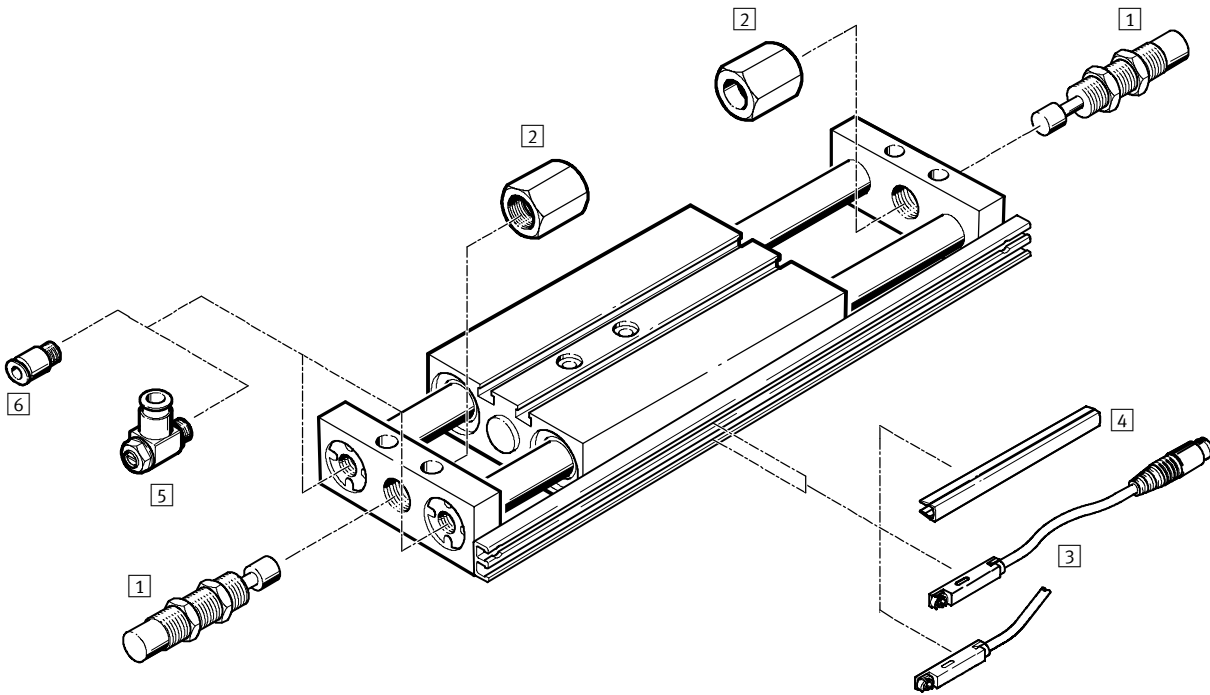


Function	Version	Piston \varnothing [mm]	Stroke [mm]	Position sensing A	Plain bearing guide GF	Recirculating ball bearing guide KF	Heat resistant seals up to 150 °C S6
Double-acting		10	10, 25, 40, 50	■	■	■	■ Plain bearing guide
		16, 20, 25, 32	10, 25, 40, 50, 80, 100				



Slide units SPZ, twin piston

Peripherals overview



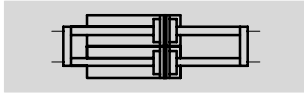
Accessories					
	Brief description	Piston Ø		→ Page	
		10, 16 mm	20, 25, 32 mm		
1	Shock absorber YSR-C	Hydraulic shock absorber with rapidly increasing cushioning characteristic	■	■	1 / 6.1-54
2	Stop limiters YSRA	Stroke limiter for shock absorber	■	■	1 / 6.1-54
			Plain bearing guide	Plain bearing guide	
3	Proximity sensor SME/SMT-8	Can be integrated in the cylinder profile barrel	■	■	1 / 6.1-55
4	Slot cover ABP-5-S	To protect the sensor cable and keep dirt out of the sensor slots	■	■	1 / 6.1-55
5	One-way flow control valve GRLA	To regulate speed	■	■	1 / 6.1-56
6	Push-in fitting QS	For connecting compressed air tubing with standard O.D. to CETOP RP 54 P	■	■	Volume 3
-	Centring pin ZBS	4 pieces included in scope of delivery	■	-	1 / 6.1-56
-	Centring sleeve ZBH	4 pieces included in scope of delivery	-	■	1 / 6.1-56

Slide units SPZ, twin piston

Technical data



Function



Variants



S6



Ø - Diameter
10 ... 32 mm

— - Stroke length
10 ... 100 mm

www.festo.com/en/Spare_parts_service

General technical data					
Piston Ø	10	16	20	25	32
Pneumatic connection	M5	M5	M5	M5	G1/8
Operating medium	Filtered compressed air, lubricated or unlubricated				
Operating pressure [bar]	2,5 ... 10		1 ... 10		
Constructional design	Slide				
	Parallel piston rods				
Cushioning	Non-adjustable at either end				
Position sensing	With proximity sensor				
Type of mounting	Via through-holes				
	With female thread				
	With mounting plate				
Mounting position	Any				
Protection against torsion/guide	Parallel piston rods/with plain-bearing guide or ball bearing guide				

Ambient conditions			
Variant	Plain-bearing guide GF		Recirculating ball bearing guide KF
		S6	
Ambient temperature ¹⁾ [°C]	-20 ... +80	0 ... +150	-20 ... +80
Corrosion resistance class CRC ²⁾	2	2	-

1) Note operating range of proximity sensors.

2) Corrosion resistance class 2 according to Festo standard 940 070

Components requiring moderate corrosion resistance. Externally visible parts with primarily decorative surface requirements which are in direct contact with a surrounding industrial atmosphere or media such as cooling or lubricating agents.

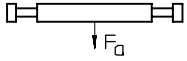
Forces [N]					
Piston Ø	10	16	20	25	32
Theoretical force at 6 bar, advancing	60	180	282	452	724
Theoretical force at 6 bar, retracting	60	180	282	452	724

Slide units SPZ, twin piston

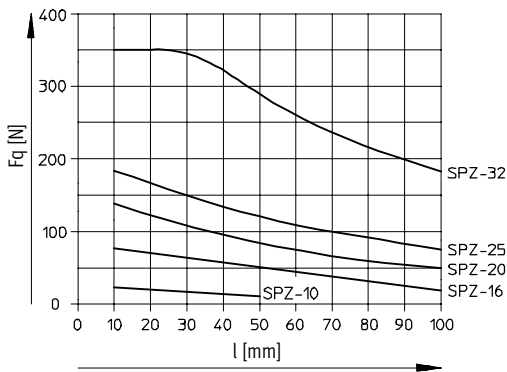
Technical data



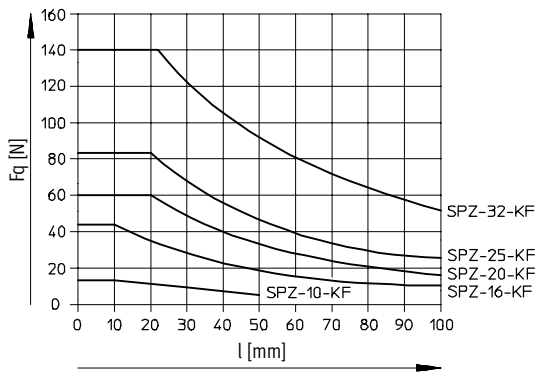
Permissible lateral force F_q as a function of stroke l



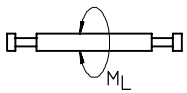
Plain-bearing guide GF



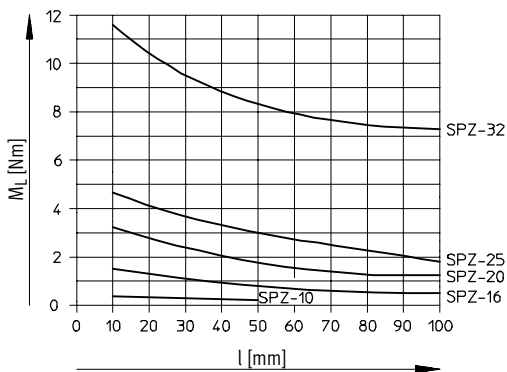
Recirculating ball bearing guide KF



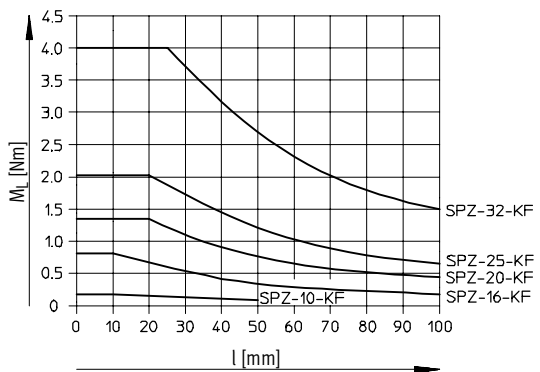
Permissible torque M_L as a function of stroke l



Plain-bearing guide GF



Recirculating ball bearing guide KF



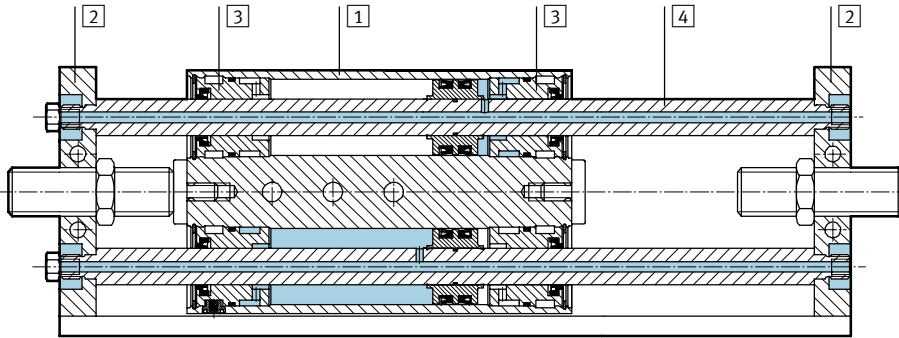
Slide units SPZ, twin piston

Technical data



Materials

Sectional view



Variant		Basic version	S6
1	Housing	Wrought aluminium alloy	Wrought aluminium alloy
2	Yoke plate	Tool steel	Tool steel
3	Plug cap	GF	Brass
		KF	Wrought aluminium alloy
4	Piston rod	GF	High-alloy stainless steel
		KF	Tempered steel
-	Seals	Polyurethane, nitrile rubber	Fluorocarbon rubber, nitrile rubber

Slide units SPZ, twin piston

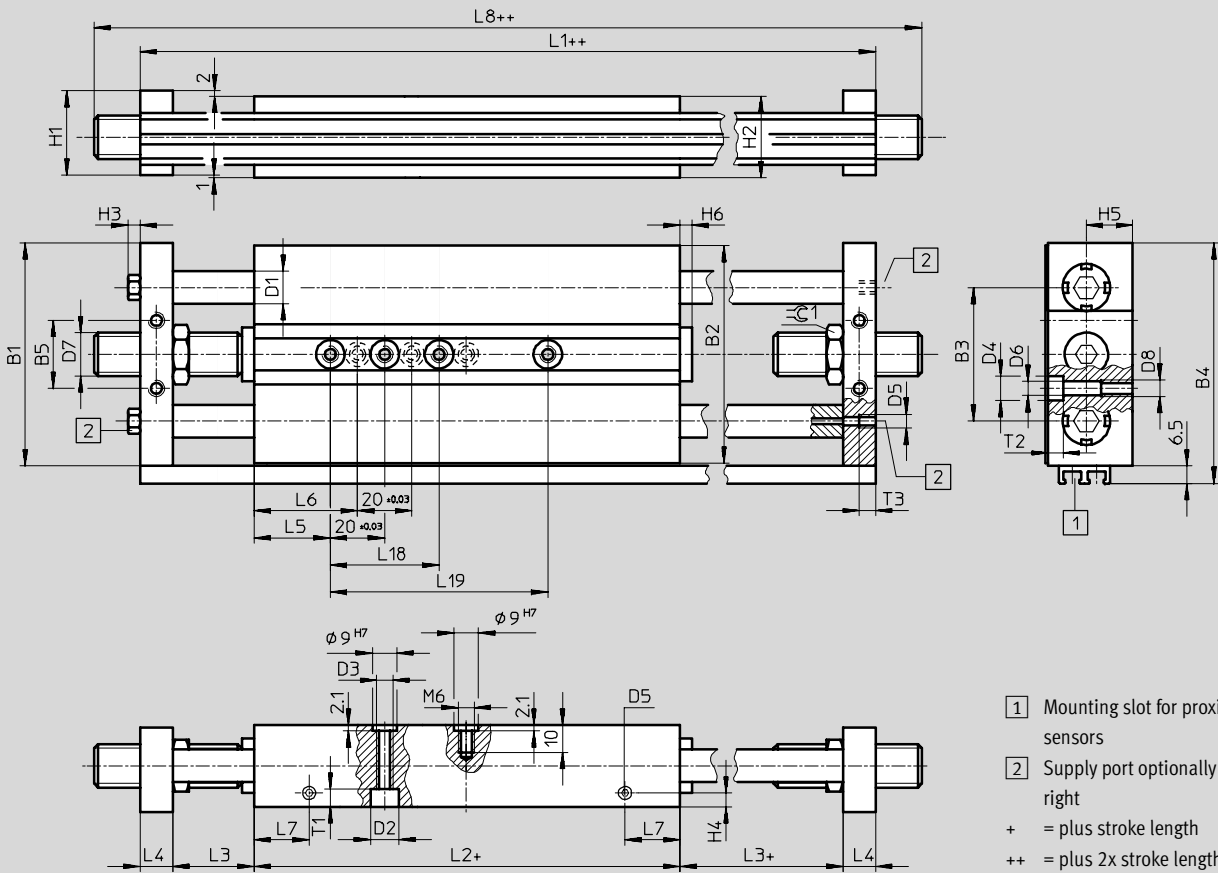
Technical data



Dimensions

Download CAD data → www.festo.com/en/engineering

Piston Ø 20, 25, 32 mm, plain-bearing guide GF



Ø	B1	B2	B3	B4	B5	D1	D2	D3	D4	D5	D6	D7	D8	H1	H2	H3
[mm]						Ø	Ø	Ø								
20	74	72	45.6	80.5	23	10	9	M6	9.5	M5	5.2	M12x1	M6	25	24	5
25	82	80	49.2	88.5	25	12	10.5	6.4	9.5	M5	5.2	M16x1	M6	31	30	5
32	100	98	57	106.5	24	16	10.5	6.4	10.5	G1/8	6.2	M16x1	M8	39	38	-

Ø	H4	H5	H6	L1	L2	L3	L4	L5	L6	L7	L8	T1	T2	T3	⊖C1
[mm]															
20	7	14	4	146.6	76.6	23	12	30	-	22.8	178.6	5.4	5	6	15
25	10	17	4.5	160.6	76.6	30	12	28	38	20.2	194.6	6.4	5	6	19
32	11.5	21	4.5	170.1	80.1	30	15	35	45	25	204.1	6.4	6.5	10	19

Stroke	L18	L19
[mm]	±0.03	±0.03
10	-	-
25	-	-
40	40	-
50	40	-
80	40	80
100	40	80

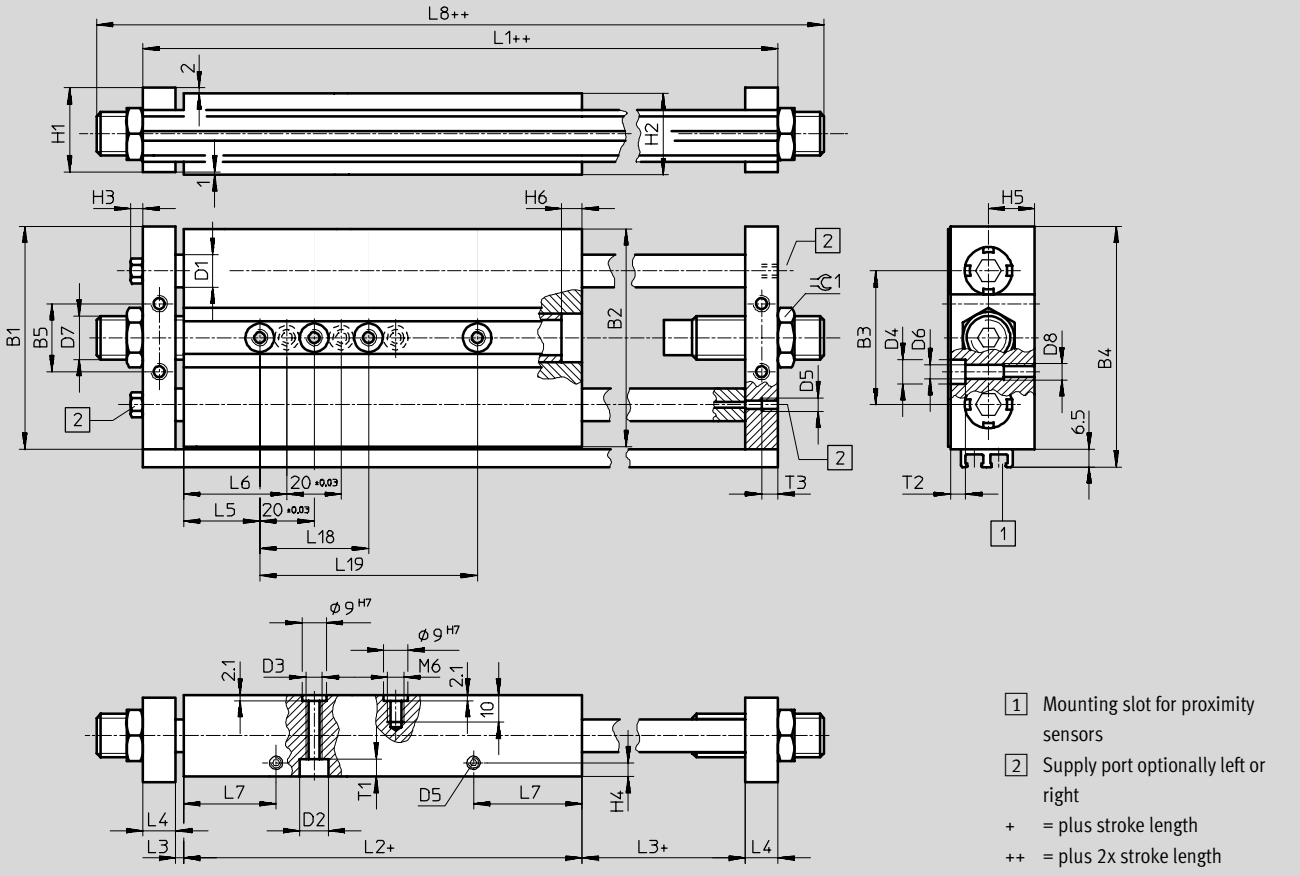
Slide units SPZ, twin piston

Technical data



Dimensions Download CAD data → www.festo.com/en/engineering

Piston Ø 20, 25, 32 mm, recirculating ball bearing guide KF



Ø	B1	B2	B3	B4	B5	D1	D2	D3	D4	D5	D6	D7	D8	H1	H2	H3
[mm]						Ø	Ø	Ø								
20	74	72	45.6	80.5	23	10	9	M6	9.5	M5	5.2	M12x1	M6	25	24	5
25	82	80	49.2	88.5	25	12	10.5	6.4	9.5	M5	5.2	M16x1	M6	31	30	5
32	100	98	57	106.5	24	16	10.5	6.4	10.5	G1/8	6.2	M16x1	M8	39	38	-

Ø	H4	H5	H6	L1	L2	L3	L4	L5	L6	L7	L8	T1	T2	T3	≈C1
[mm]															
20	5	14	6.5	146.6	120.6	1	12	30	-	43.4	184.6	5.4	5	6	15
25	5	17	7.5	160.6	130.6	3	12	28	38	40	202.6	6.4	5	6	19
32	7.5	21	7.5	170.1	134.1	3	15	35	45	44.9	206.1	6.4	6.5	10	19

Stroke	L18	L19
[mm]	±0.03	±0.03
10	-	-
25	-	-
40	40	-
50	40	-
80	40	80
100	40	80


Slide units SPZ, twin piston

Technical data

FESTO

Drives with linear guides
Slides

6.1


Ordering data – Basic version						
Type	Piston Ø [mm]	Stroke [mm]	Plain-bearing guide GF		Recirculating ball bearing guide KF	
			Part No.	Type ¹⁾	Part No.	Type ¹⁾
	10	10	32 714	SPZ-10-10-P-A	162 166	SPZ-10-10-P-A-KF
		25	32 715	SPZ-10-25-P-A	162 167	SPZ-10-25-P-A-KF
		40	32 716	SPZ-10-40-P-A	162 168	SPZ-10-40-P-A-KF
		50	32 717	SPZ-10-50-P-A	162 169	SPZ-10-50-P-A-KF
	16	10	32 719	SPZ-16-10-P-A	162 171	SPZ-16-10-P-A-KF
		25	32 720	SPZ-16-25-P-A	162 172	SPZ-16-25-P-A-KF
		40	32 721	SPZ-16-40-P-A	162 173	SPZ-16-40-P-A-KF
		50	32 722	SPZ-16-50-P-A	162 174	SPZ-16-50-P-A-KF
		80	32 723	SPZ-16-80-P-A	162 175	SPZ-16-80-P-A-KF
		100	32 724	SPZ-16-100-P-A	162 176	SPZ-16-100-P-A-KF
	20	10	32 726	SPZ-20-10-P-A	162 178	SPZ-20-10-P-A-KF
		25	32 727	SPZ-20-25-P-A	162 179	SPZ-20-25-P-A-KF
		40	32 728	SPZ-20-40-P-A	162 180	SPZ-20-40-P-A-KF
		50	32 729	SPZ-20-50-P-A	162 181	SPZ-20-50-P-A-KF
		80	32 730	SPZ-20-80-P-A	162 182	SPZ-20-80-P-A-KF
		100	32 731	SPZ-20-100-P-A	162 183	SPZ-20-100-P-A-KF
	25	10	32 733	SPZ-25-10-P-A	162 185	SPZ-25-10-P-A-KF
		25	32 734	SPZ-25-25-P-A	162 186	SPZ-25-25-P-A-KF
		40	32 735	SPZ-25-40-P-A	162 187	SPZ-25-40-P-A-KF
		50	32 736	SPZ-25-50-P-A	162 188	SPZ-25-50-P-A-KF
80		32 737	SPZ-25-80-P-A	162 189	SPZ-25-80-P-A-KF	
100		32 738	SPZ-25-100-P-A	162 190	SPZ-25-100-P-A-KF	
32	10	159 721	SPZ-32-10-P-A	162 192	SPZ-32-10-P-A-KF	
	25	159 722	SPZ-32-25-P-A	162 193	SPZ-32-25-P-A-KF	
	40	159 723	SPZ-32-40-P-A	162 194	SPZ-32-40-P-A-KF	
	50	159 724	SPZ-32-50-P-A	162 195	SPZ-32-50-P-A-KF	
	80	159 725	SPZ-32-80-P-A	162 196	SPZ-32-80-P-A-KF	
	100	159 726	SPZ-32-100-P-A	162 197	SPZ-32-100-P-A-KF	

1) 4 centring pins or sleeves are included in the scope of delivery.

Slide units SPZ, twin piston

Technical data

FESTO

Ordering data – Variant			
Type	Piston Ø [mm]	Stroke [mm]	Plain-bearing guide GF Part No. Type ¹⁾
S6 – Heat resistant seals up to 150 °C			
	10	10	159 730 SPZ-10-10-P-A-S6
		25	159 731 SPZ-10-25-P-A-S6
		40	159 732 SPZ-10-40-P-A-S6
		50	159 733 SPZ-10-50-P-A-S6
	16	10	159 734 SPZ-16-10-P-A-S6
		25	159 735 SPZ-16-25-P-A-S6
		40	159 736 SPZ-16-40-P-A-S6
		50	159 737 SPZ-16-50-P-A-S6
		80	159 738 SPZ-16-80-P-A-S6
		100	159 739 SPZ-16-100-P-A-S6
	20	10	159 743 SPZ-20-10-P-A-S6
		25	159 744 SPZ-20-25-P-A-S6
		40	159 745 SPZ-20-40-P-A-S6
		50	159 746 SPZ-20-50-P-A-S6
		80	159 747 SPZ-20-80-P-A-S6
		100	159 748 SPZ-20-100-P-A-S6
	25	10	159 752 SPZ-25-10-P-A-S6
		25	159 753 SPZ-25-25-P-A-S6
		40	159 754 SPZ-25-40-P-A-S6
		50	159 755 SPZ-25-50-P-A-S6
		80	159 756 SPZ-25-80-P-A-S6
		100	159 757 SPZ-25-100-P-A-S6
	32	10	159 762 SPZ-32-10-P-A-S6
		25	159 763 SPZ-32-25-P-A-S6
40		159 764 SPZ-32-40-P-A-S6	
50		159 765 SPZ-32-50-P-A-S6	
80		159 766 SPZ-32-80-P-A-S6	
100		159 767 SPZ-32-100-P-A-S6	

1) 4 centring pins or sleeves are included in the scope of delivery.

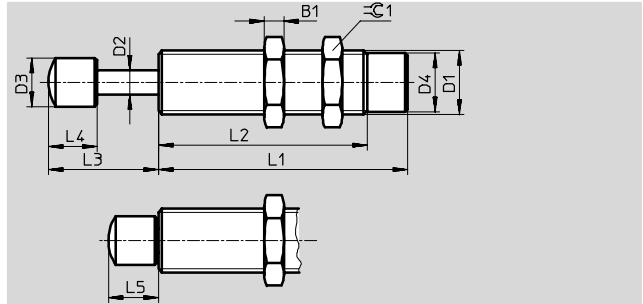
Slide units SPZ, twin piston

Accessories



Shock absorber YSR-C

Material:
 YSR-7-5-C, YSR-8-8-C: Nickel-plated brass
 YSR-12-12-C: Galvanised steel
 Free of copper, PTFE and silicone

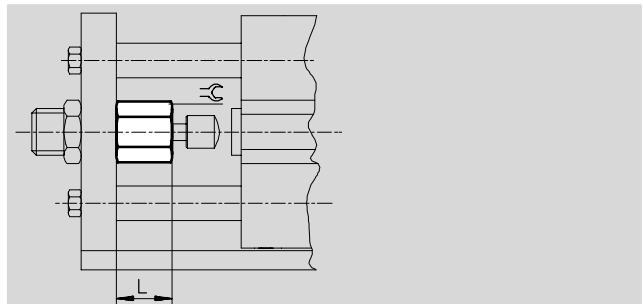


Dimensions and ordering data													
For \varnothing	B1	D1	D2	D3	D4	L1	L2	L3	L4	L5	\approx	Part No.	Type
[mm]			\varnothing	\varnothing	\varnothing	± 0.1	± 0.3	$+0.7/-0.35$	± 0.2	$+0.55/-0.25$			
10, 16	3.5	M10x1	3	6 ± 0.1	8.6 ± 0.05	34	23	12.3	7	7.3	13	160 272	YSR-7-5-C
20	4	M12x1	4	8 ± 0.2	10.4 ± 0.1	46	33	16.3	8	8.3	15	34 571	YSR-8-8-C
25, 32	5	M16x1	6	12 ± 0.2	14.5 ± 0.1	64	51	24.5	12	12.5	19	34 572	YSR-12-12-C

Stop limiter YSRA

for use when shock absorbers are fitted
 (not in the case of recirculating ball bearing guide)

Material:
 Steel



Dimensions and ordering data						
For \varnothing	L	\approx	For shock absorbers	Weight	Part No.	Type
[mm]				[g]		
10, 16	15	13	YSR-7-5-C	12	150 932	YSRA-7-C
20	19	15	YSR-8-8-C	28	150 933	YSRA-8-C
25, 32	25.5	19	YSR-12-12-C	48	150 934	YSRA-12-C

Core Range

Slide units SPZ, twin piston

Accessories



Ordering data – Proximity sensors for slot type 8, magneto-resistive							Data sheets → 1 / 10.2-13		
	Mounting	Switch output	Electrical connection			Cable length [m]	Part No.	Type	
			Cable	M8 plug	M12 plug				
NO contact									
	Insertable from above	PNP	3-core	–	–	2.5	525 898	SMT-8F-PS-24V-K2,5-OE	☉
		NPN		–	–		525 909	SMT-8F-NS-24V-K2,5-OE	☉
		–	2-core	–	–	2.5	525 908	SMT-8F-ZS-24V-K2,5-OE	☉
		PNP	–	3-pin	–	0.3	525 899	SMT-8F-PS-24V-K0,3-M8D	☉
		NPN	–		525 910		SMT-8F-NS-24V-K0,3-M8D	☉	
PNP	–	–	3-pin	–	0.3	525 900	SMT-8F-PS-24V-K0,3-M12	☉	
	Insertable from end, flush with the cylinder profile	PNP	3-core	–	–	2.5	175 436	SMT-8-PS-K-LED-24-B	
			–	3-pin	–	0.3	175 484	SMT-8-PS-S-LED-24-B	
NC contact									
	Insertable from above	PNP	3-core	–	–	7.5	525 911	SMT-8F-PO-24V-K7,5-OE	☉

Ordering data – Proximity sensors for slot type 8, magnetic reed							Data sheets → 1 / 10.2-16	
	Mounting	Electrical connection		Cable length [m]	Part No.	Type		
		Cable	M8 plug					
NO contact								
	Insertable from above	3-core		–	2.5	525 895	SME-8F-DS-24V-K2,5-OE	☉
		2-core		–		5.0	525 897	SME-8F-DS-24V-K5,0-OE
		–	–	3-pin	–	2.5	525 907	SME-8F-ZS-24V-K2,5-OE
	Insertable from end, flush with the cylinder profile	3-core		–	2.5	525 896	SME-8F-DS-24V-K0,3-M8D	☉
		–		3-pin		–	150 855	SME-8-K-LED-24
		–		3-pin	–	0.3	150 857	SME-8-S-LED-24
NC contact								
	Insertable from above	3-core		–	7.5	525 906	SME-8F-DO-24V-K7,5-OE	☉

Ordering data – Plug sockets						Data sheets → 1 / 10.2-100		
	Mounting	Switch output		Connection	Cable length [m]	Part No.	Type	
		PNP	NPN					
Straight socket								
	M8 union nut	■	■	3-pin	2.5	159 420	SIM-M8-3GD-2,5-PU	
					5	159 421	SIM-M8-3GD-5-PU	
	M12 union nut	■	■	3-pin	2.5	159 428	SIM-M12-3GD-2,5-PU	
					5	159 429	SIM-M12-3GD-5-PU	
Angled socket								
	M8 union nut	■	■	3-pin	2.5	159 422	SIM-M8-3WD-2,5-PU	
					5	159 423	SIM-M8-3WD-5-PU	
	M12 union nut	■	■	3-pin	2.5	159 430	SIM-M12-3WD-2,5-PU	
					5	159 431	SIM-M12-3WD-5-PU	


Ordering data – Slot cover for slot type 8				
	Mounting	Length [m]	Part No.	Type
	Insertable from above	2x 0.5	151 680	ABP-5-S



Core Range

Slide units SPZ, twin piston

Accessories



Ordering data – One-way flow control valves				Data sheets → Volume 2	
	Connection		Material	Part No.	Type
	Thread	For tubing O.D.			
	M5	3	Metal design	193 137	GRLA-M5-QS-3-D
		4		193 138	GRLA-M5-QS-4-D
		6		193 139	GRLA-M5-QS-6-D
	G1/8	3		193 142	GRLA-1/8-QS-3-D
		4		193 143	GRLA-1/8-QS-4-D
		6		193 144	GRLA-1/8-QS-6-D
		8		193 145	GRLA-1/8-QS-8-D

Ordering data – Accessories					
	For dia. [mm]	Material	Part No.	Type	PE ¹⁾
Centring pin ZBS					Data sheets → 1 / 10.1-19
	10, 16	Stainless steel Free of copper, PTFE and silicone	150 928	ZBS-5	10
Centring sleeve ZBH					Data sheets → 1 / 10.1-19
	20, 25, 30	Stainless steel Free of copper, PTFE and silicone	150 927	ZBH-9	10

1) Packaging unit quantity