

- Multi-axis and drive combinations
- With guide
- Recirculating ball bearing guide
- Individualised position sensing and end-position cushioning

Linear units SLE

Key features

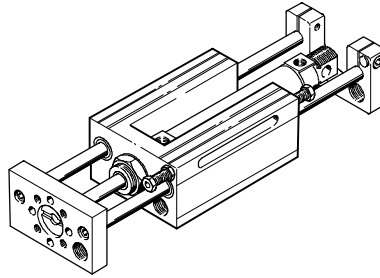
Version

The linear unit SLE is a combination of a guide unit and a standard cylinder. The cylinder moves a flange plate.

The modular system allows for individualised end-position cushioning and end-position sensing solutions.

Basic unit

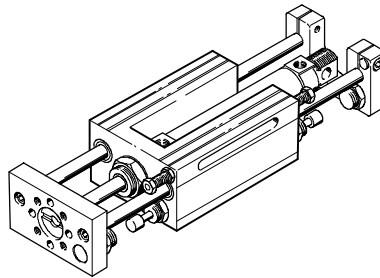
SLE-...-G



Standard unit

SLE-...-S

with two self-adjusting shock absorbers and two inductive proximity sensors with PNP output

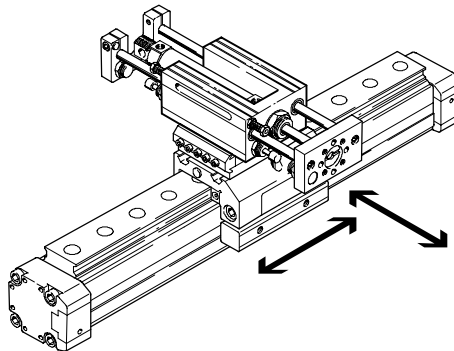


Drive combinations

The linear unit SLE can be combined with different drives. An adapter kit is required to secure the two drives together.

Adapter kits
→ Volume 5

Linear unit SLE with linear drive DGPL



Linear units SLE

Key features

Multi-axis combinations

The linear unit SLE can be combined with a further linear unit SLE or a linear drive SLM to produce a range of 2-axis or 3-axis systems.

These multi-axis configurations are formed by screwing the units together, either directly or using an adapter plate. A linear unit SLE can be combined with another linear unit SLE using either method, however direct mounting is almost always required for a linear drive SLM and linear unit SLE.

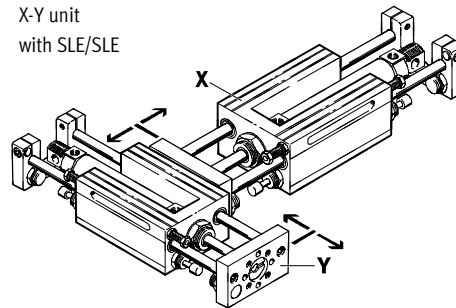
The centring pins and sleeves required to secure the units together are included in the scope of delivery.

Linear drive SLM
→ 1 / 3.2-14

with linear unit SLE

X	Y	Z
2 axes		
SLE-16	SLE-10	–
SLE-20	SLE-16	–
SLE-25	SLE-16	–
SLE-32	SLE-20 or SLE-25	–
SLE-40	SLE-32	–
SLE-50	SLE-40	–
3 axes		
SLE-20	SLE-16	SLE-10
SLE-25	SLE-16	SLE-10
SLE-32	SLE-20 or SLE-25	SLE-16
SLE-40	SLE-32	SLE-20 or SLE-25
SLE-50	SLE-40	SLE-32

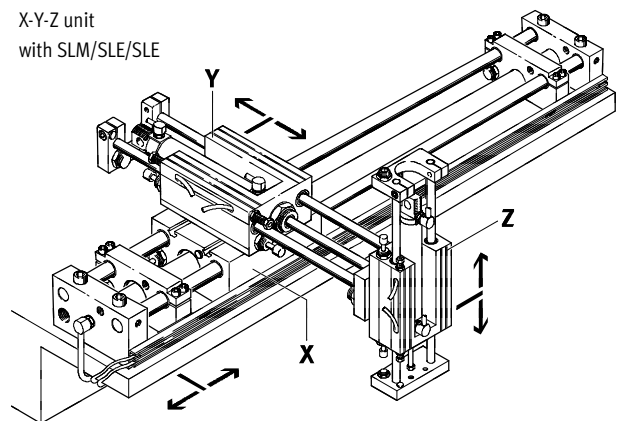
X-Y unit with SLE/SLE



with linear drive SLM

X	Y	Z
2 axes		
SLM-12	SLE-10	–
SLM-16 ¹⁾	SLE-10	–
SLM-20	SLE-16	–
SLM-25 ²⁾	SLE-16	–
SLM-32	SLE-20 or SLE-25	–
SLM-40	SLE-32	–
3 axes		
SLM-20	SLE-16	SLE-10
SLM-25 ²⁾	SLE-16	SLE-10
SLM-32	SLE-20 or SLE-25	SLE-16
SLM-40	SLE-32	SLE-20 or SLE-25

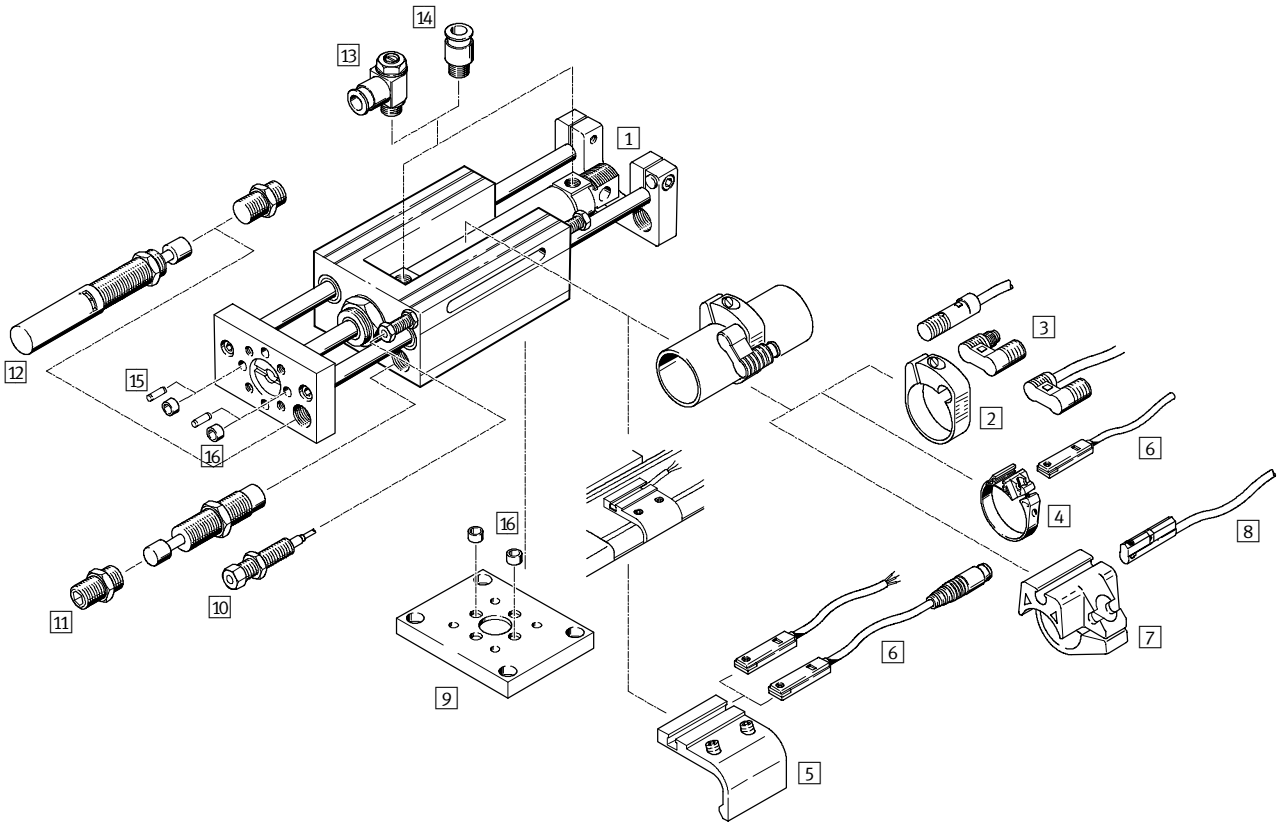
X-Y-Z unit with SLM/SLE/SLE



- 1) A mounting plate SLEP-10 (→ 1 / 6.2-125) is required for mounting (direct mounting is not possible).
- 2) A mounting plate SLEP-16 (→ 1 / 6.2-125) is required for mounting (direct mounting is not possible).

Linear units SLE

Peripherals overview



Drives with linear guides
Rod guides

6.2

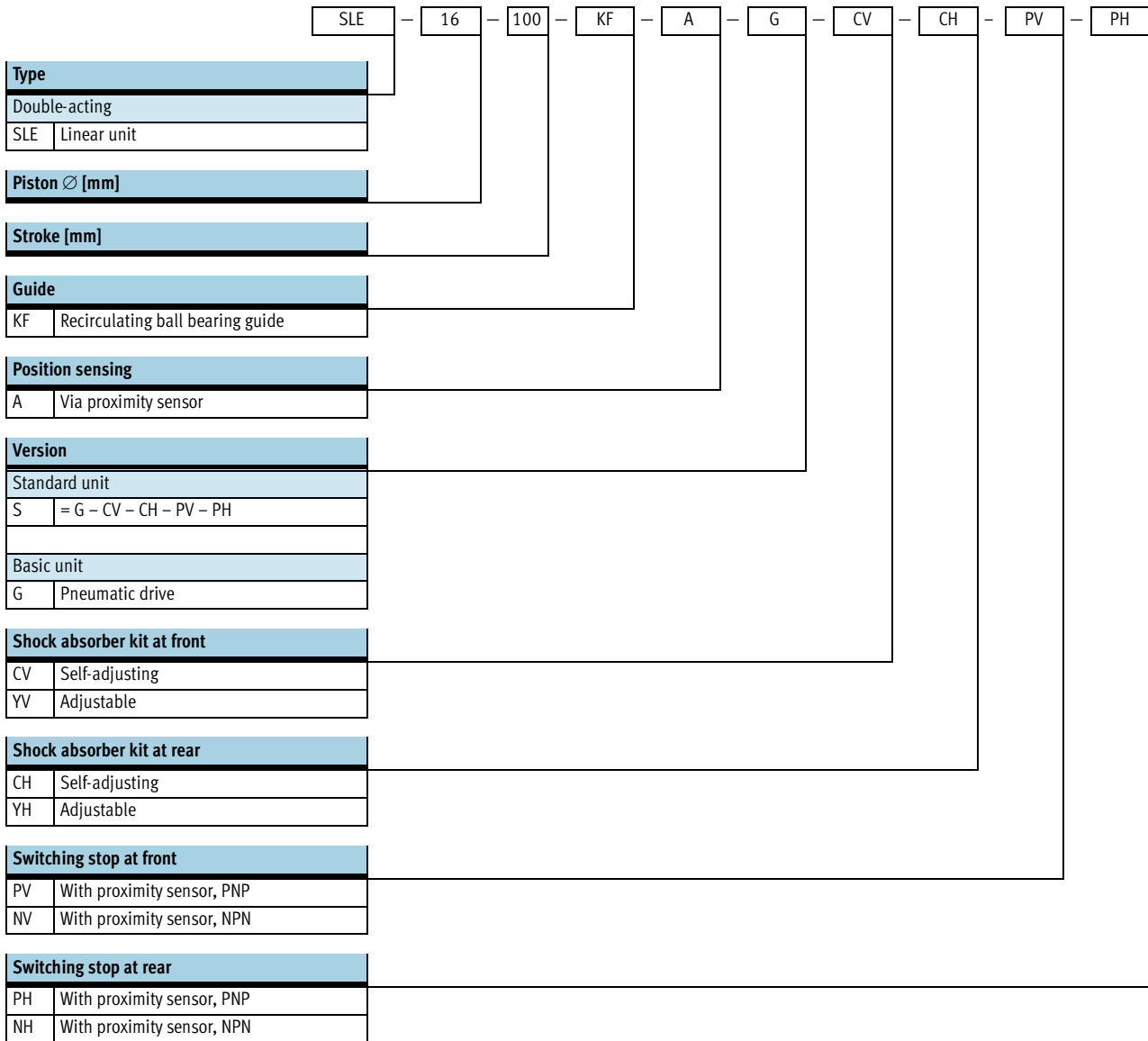
Linear units SLE

Peripherals overview

Accessories					
	Brief description	Piston Ø 10 ... 20 mm	Piston Ø 25 mm	Piston Ø 32 ... 50 mm	→ Page
1	Standard cylinder DSNU	■	■	-	1 / 6.2-127
	Standard cylinder DNC	-	-	■	1 / 6.2-127
2	Mounting kit SMBR	■	■	-	1 / 6.2-127
3	Proximity sensor SMEO/SMT0-4U	■	■	-	1 / 6.2-127
4	Mounting kit SMBR-8	■	■	-	1 / 6.2-128
5	Mounting kit SMB-8-FENG	-	-	■	1 / 6.2-128
6	Proximity sensor SME/SMT-8	■	■	■	1 / 6.2-128
7	Mounting kit SMBR-10	■	■	-	1 / 6.2-129
8	Proximity sensor SME/SMT-10	■	■	-	1 / 6.2-129
9	Adapter plate SLEP	■	■	■	1 / 6.2-125
10	Switching stop with proximity sensor SL-...-SIE-PS/SL-...-SIE-NS	■	■	■	1 / 6.2-125
11	Shock absorber kit, self-adjusting SLE-...-YSR-C	■	■	■	1 / 6.2-124
12	Shock absorber kit, adjustable SLZ-...-KF-A	■ Ø 20	■	■	1 / 6.2-124
13	One-way flow control valve GRLA	■	■	■	1 / 6.2-130
14	Push-in fitting QS	■	■	■	Volume 3
15	Centring pin ZBS	■	-	-	1 / 6.2-126
16	Centring sleeve ZBH	-	■	■	1 / 6.2-126

Linear units SLE

Type code



Linear units SLE

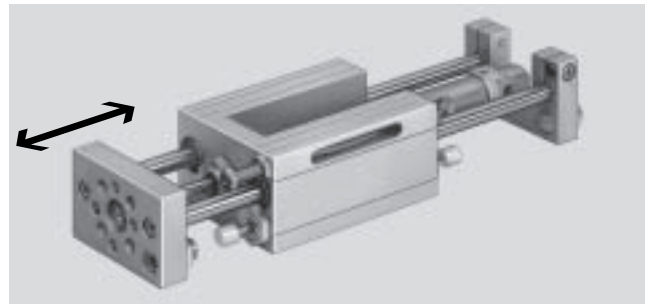
Technical data

FESTO

Function



www.festo.com/en/Spare_parts_service



- \varnothing - Diameter
10 ... 50 mm
- | - Stroke length
10 ... 500 mm

General technical data							
Piston \varnothing	10	16	20	25	32	40	50
Stroke [mm]	10 ... 100	10 ... 200	10 ... 320		10 ... 500		
Pneumatic connection	M5		G1/8		G1/4		
Mode of operation	Double-acting						
Constructional design	Linear unit						
	Standard cylinder						
End-position cushioning via shock absorber	Self-adjusting at both ends						Adjustable at both ends
	-						
Position sensing	Via proximity sensor						
Type of mounting	Via through-holes						
	Via female thread						
Mounting position	Any						
Protection against torsion/guide	Guide rods with yoke/ball bearing guide						

Operating and environmental conditions							
Piston \varnothing	10	16	20	25	32	40	50
Operating medium	Filtered compressed air, lubricated or unlubricated						
Operating pressure [bar]	2.5 ... 10				1.5 ... 12		
Ambient temperature ¹⁾ [°C]	-20 ... +80						

1) Note operating range of proximity sensors.

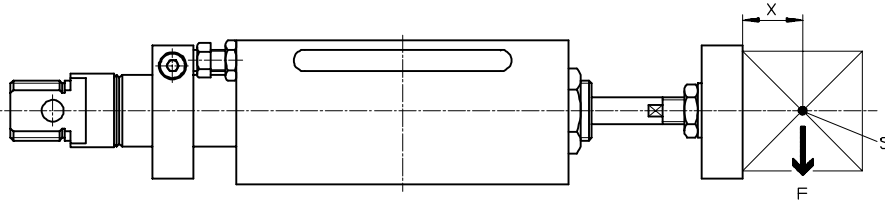
Forces [N]							
Piston \varnothing	10	16	20	25	32	40	50
Theoretical force at 6 bar, advancing	47	121	188	295	483	754	1178
Theoretical force at 6 bar, retracting	40	104	158	247	415	633	990

Linear units SLE

Technical data

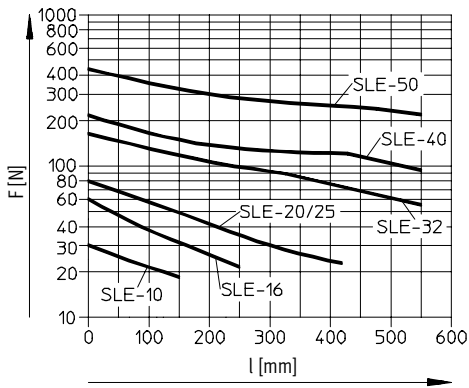


Permissible dynamic load

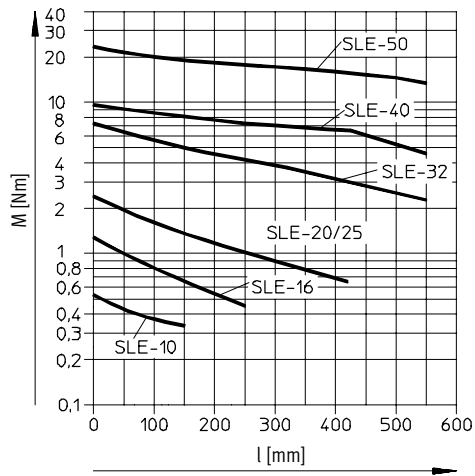


- S = Centre of gravity of load
- X = 25 mm
- F = Effective load

Permissible effective load F as a function of the stroke l



Permissible torque M as a function of the stroke l



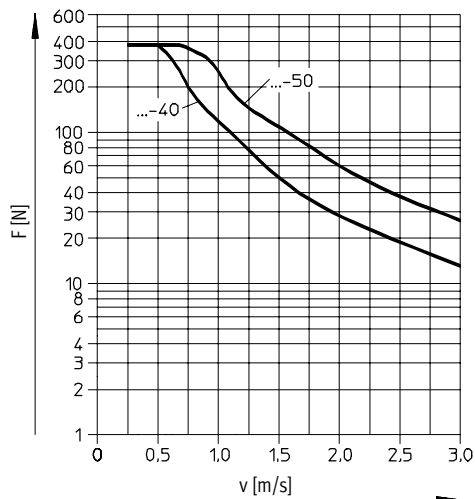
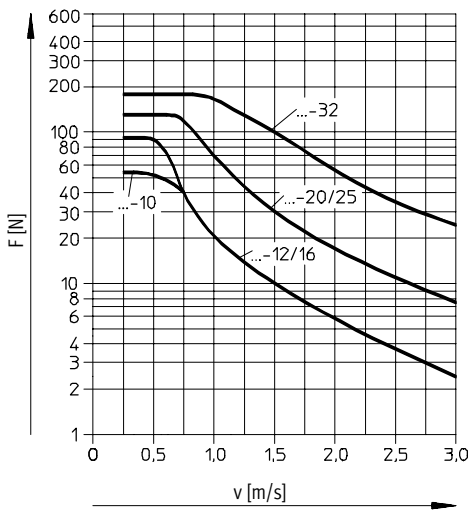
Permissible shock absorber load F as a function of the impact velocity v

with horizontal installation

$$F \geq m_L \times g$$

$$g = 9.81 \text{ N/mm}^2$$

$$m_L = \text{Load [kg]}$$



Linear units SLE

Technical data

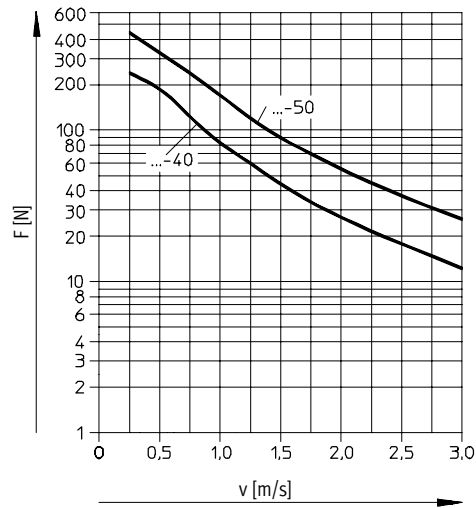
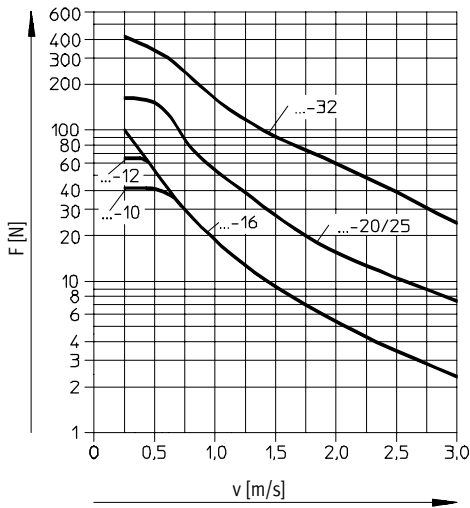
Permissible shock absorber load F as a function of the impact velocity v
with vertical installation

$$F \geq (m_L + m_E) \times g$$

$$g = 9.81 \text{ N/mm}^2$$

m_E = Moving load (dead weight) [kg]

m_L = Load [kg]



Weights [g]							
Piston Ø	10	16	20	25	32	40	50
Product weight with 0 mm stroke	560	913	1882	1942	4300	6175	9200
Additional weight per 10 mm stroke	10	13	19	23	57	85	125
Moving load with 0 mm stroke	160	230	500	500	1500	2200	3600
Additional load per 10 mm stroke	8	8	12	12	31	49	77

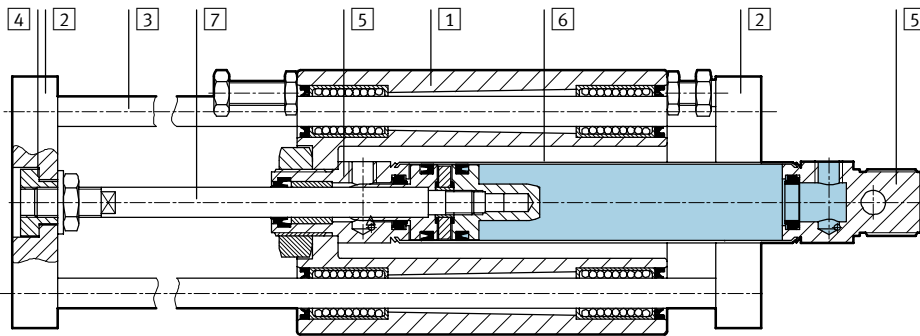
Linear units SLE

Technical data



Materials

Sectional view



Linear unit

1	Housing	∅ 10 ... 25	Die-cast aluminium
		∅ 32 ... 50	Wrought aluminium alloy
2	Yoke/end plate		Aluminium
3	Guide rod		Tempered steel
4	Coupling		Steel
5	Bearing and end caps	∅ 10 ... 25	Wrought aluminium alloy
		∅ 32 ... 50	Die-cast aluminium
6	Cylinder barrel	∅ 10 ... 25	High-alloy stainless steel
		∅ 32 ... 50	Wrought aluminium alloy
7	Piston rod	∅ 10 ... 25	High-alloy stainless steel
		∅ 32 ... 50	High-alloy steel
-	Seals		Polyurethane, nitrile rubber

Linear units SLE

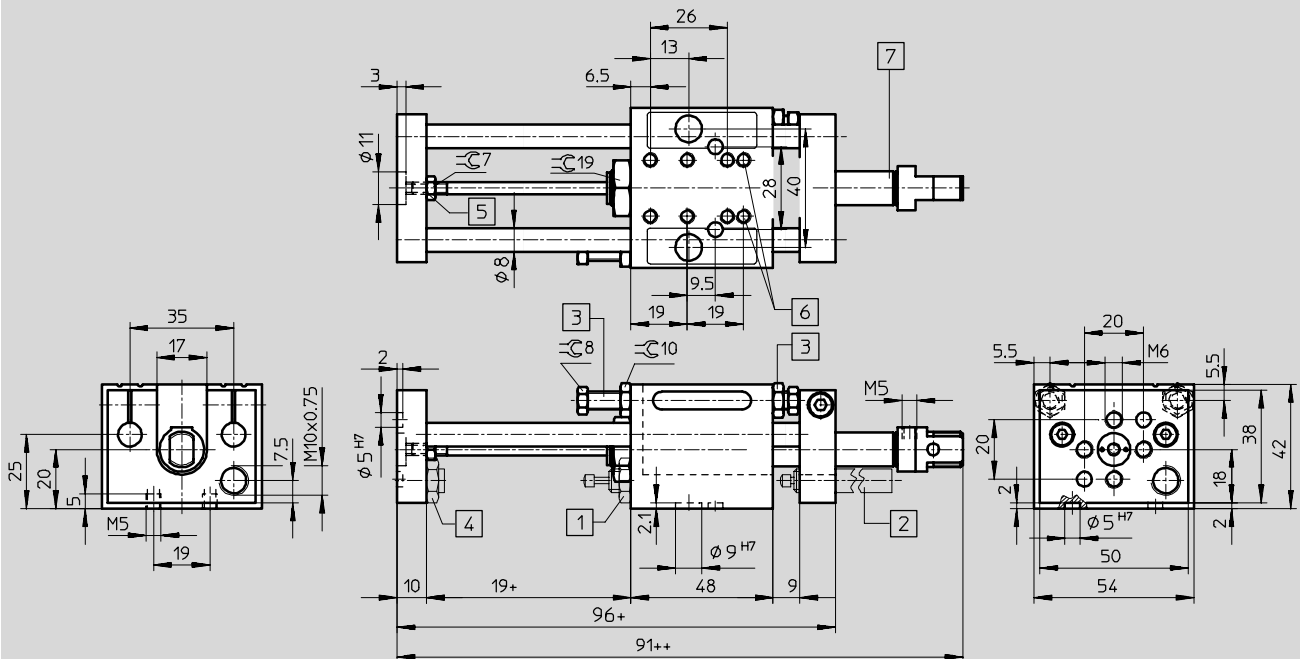
Technical data



Dimensions

Download CAD data → www.festo.com/en/engineering

Piston \varnothing 10 mm



- | | | | |
|---|--|--|---|
| <p>1 Self-adjusting shock absorber, for front and rear mounting</p> <p>2 Adjustable shock absorber, can only be mounted to yoke at rear</p> | <p>3 Switching stop with proximity sensor, PNP/NPN, for front and rear mounting</p> <p>4 Shock absorber stop</p> | <p>5 Compensating coupling for radial and axial alignment</p> <p>6 Mounting thread</p> <p>7 Drive DSNU</p> | <p>+ = plus stroke length</p> <p>++ = plus 2x stroke length</p> |
|---|--|--|---|

Drives with linear guides
Rod guides
6.2

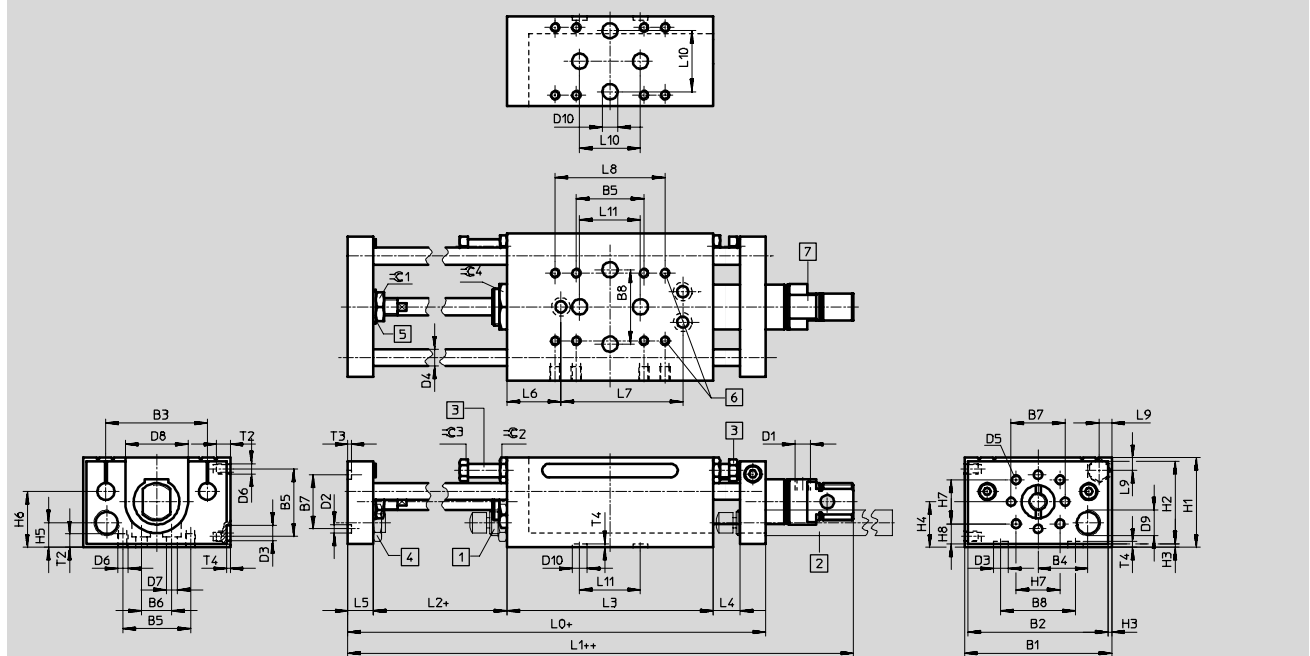
Linear units SLE

Technical data



Dimensions Download CAD data → www.festo.com/en/engineering

Piston Ø 16 ... 25 mm



- 1 Self-adjusting shock absorber, for front and rear mounting
 - 2 Adjustable shock absorber, can only be mounted to yoke at rear
 - 3 Switching stop with proximity sensor, PNP/NPN, for front and rear mounting
 - 4 Shock absorber stop
 - 5 Compensating coupling for radial and axial alignment
 - 6 Mounting thread
 - 7 Drive DSNU
- + = plus stroke length
++ = plus 2x stroke length

Ø	B1	B2	B3	B4	B5	B6	B7	B8	D1	D2	D3	D4	D5	D6	D7
[mm]										Ø	Ø	Ø			Ø
16	64	60	44	22	26	14	28	40	M5	5	9	8	M6	M5	5.5
20	87	83	60	29.5	40	18	32	40	G1/8	5	9	10	M6	M6	6.6
25	87	83	60	29.5	40	18	32	40	G1/8	5	9	10	M6	M6	6.6

Ø	D8	D9	D10	H1	H2	H3	H4	H5	H6	H7	H8	L0	L1	L2	L3
[mm]	Ø		Ø												
16	26	M10x0.75	5	43	39	2	22	10	25	19	10.5	143	116	21	86
20	37	M15x1	9	53	49	2	27	14.5	33	26	12	197	145.5	29	122
25	37	M15x1	9	53	49	2	27	14.5	33	26	12	197	149	29	122

Ø	L4	L5	L6	L7	L8	L9	L10	L11	T2	T3	T4	≈C1	≈C2	≈C3	≈C4
[mm]															
16	12	12	21	54	40	6	-	32	7	2	2	10	10	8	19
20	16	15	32	72	65	7.5	40	40	8	2	2.1	17	13	11	27
25	16	15	32	72	65	7.5	40	40	8	2	2.1	17	13	11	27

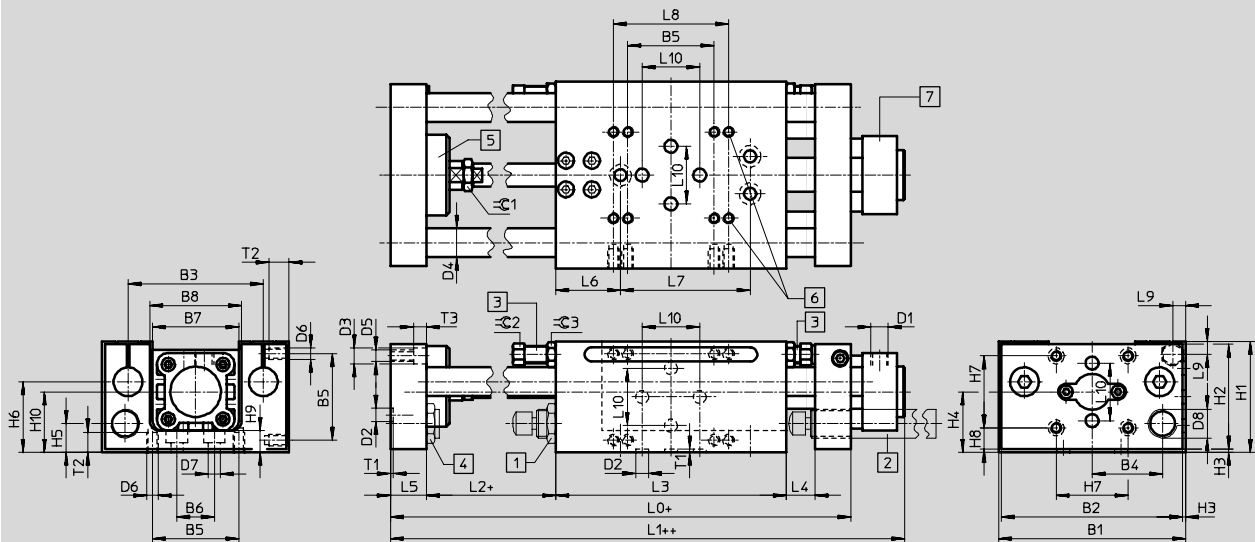
Linear units SLE

Technical data



Dimensions Download CAD data → www.festo.com/en/engineering

Piston Ø 32 ... 50 mm



- 1 Self-adjusting shock absorber, for front and rear mounting
 - 2 Adjustable shock absorber, can only be mounted to yoke at rear
 - 3 Switching stop with proximity sensor, PNP/NPN, for front and rear mounting
 - 4 Shock absorber stop
 - 5 Compensating coupling for radial and axial alignment
 - 6 Mounting thread
 - 7 Drive DNC
- + = plus stroke length
++ = plus 2x stroke length

Ø	B1	B2	B3	B4	B5	B6	B7	B8	D1	D2	D3	D4	D5	D6	D7
[mm]			±0.03							Ø	Ø	Ø			Ø
32	115	111	84	41.5	50	26	52	55	G1/8	9	11	16	M8	M6	8.4
40	130	126	94	49	60	26	60	64	G1/4	9	11	20	M8	M8	8.4
50	154	150	113	58	60	30	72	76	G1/4	9	15	25	M10	M8	8.4

Ø	D8	H1	H2	H3	H4	H5	H6	H7	H8	H9	H10	L0	L1	L2
[mm]							±0.1							
32	M20x1.25	70	66	2	40.5	17	43	40	18.5	14	40.5	250	172	30
40	M20x1.25	77	73	2	46	20	49	50	15	14	46	260	197.5	30
50	M24x1.25	90	86	2	48.5	19	52	60	16.5	16	53.5	305	226	38

Ø	L3	L4	L5	L6	L7	L8	L9	L10	T1	T2	T3	≈C1	≈C2	≈C3
[mm]								±0.03	+0.2					
32	160	20	20	45	90	75	9	40	2.1	10	7.3	17	13	15
40	160	20	25	45	90	80	9	40	2.1	14	9	19	13	15
50	192	25	25	66	90	80	10	40	2.1	14	11	24	13	15

Linear units SLE

Ordering data – Modular products



Mandatory data							Options			
Module No.	Drive function	Size	Stroke	Guide	Position sensing	Basic unit	Shock absorber at front	Shock absorber at rear	Sensor at front	Sensor at rear
150 088	SLE	10	10 ... 500	KF	A	G	CV	CH	PV	PH
150 090		16					YV	YH	NV	NH
150 091		20								
150 092		25								
150 093		32								
150 094		40								
150 091		50								
150 0921										
Ordering example										
150 090	SLE	- 16	- 190	- KF	- A	- G	- YV	- YH	- PV	- PH

Ordering table												
Size	10	16	20	25	32	40	50	Condi- tions	Code	Enter code		
M	Module No.	150 088	150 090	150 091	150 092	150 093	150 094	150 921				
	Drive function	Linear unit								SLE	SLE	
	Size [mm]	10	16	20	25	32	40	50	-...			
	Stroke [mm]	10 ... 100	10 ... 200	10 ... 320		10 ... 500			-...			
	Guide	Via ball bearings								-KF	-KF	
	Position sensing	Via proximity sensor								-A	-A	
	Basic unit	Linear unit with pneumatic drive								-G	-G	
O	Shock absorber	at front								Self-adjusting shock absorber, with stop at front		-CV
		at rear								Adjustable shock absorber, with stop at front		-YV
		at front								Self-adjusting shock absorber, with stop at rear		-CH
		at rear								Adjustable shock absorber, with stop at rear		-YH
	Sensor (bonded)	at front								Inductive sensor with 2.5 m cable, PNP, with stop sleeve at front		-PV
		at front								Inductive sensor with 2.5 m cable, NPN, with stop sleeve at front		-NV
		at rear								Inductive sensor with 2.5 m cable, PNP, with stop sleeve at rear		-PH
		at rear								Inductive sensor with 2.5 m cable, NPN, with stop sleeve at rear		-NH

Transfer order code

	SLE	-		-		-	KF	-	A	-	G	-		-		-		-	
--	-----	---	--	---	--	---	----	---	---	---	---	---	--	---	--	---	--	---	--

Linear units SLE

Ordering data – Modular products, package solution



M Mandatory data

Module No.	Drive function	Size	Stroke	Guide	Position sensing	Standard unit
150 088	SLE	10	10 ... 500	KF	A	S
150 090		16				
150 091		20				
150 092		25				
150 093		32				
150 094		40				
150 921		50				
Ordering example						
150 093	SLE	- 32	- 450	- KF	- A	- S

Ordering table

Size	10	16	20	25	32	40	50	Condi- tions	Code	Enter code
M Module No.	150 088	150 090	150 091	150 092	150 093	150 094	150 921			
Drive function	Linear unit								SLE	SLE
Size [mm]	10	16	20	25	32	40	50		-...	
Stroke [mm]	10 ... 100	10 ... 200	10 ... 320		10 ... 500				-...	
Guide	Via ball bearings								-KF	-KF
Position sensing	Via proximity sensor								-A	-A
Standard unit	Package solution S = G-CV-CH-PV-PH								-S	-S

Transfer order code

-
 -
 -
 -
 -

Linear units SLE

Accessories



Shock absorber kit
SLE...-YSR-C, self-adjusting
 (order code CV, CH)

Material:
 YSR-8-8-C: Nickel-plated brass
 YSR-12-12-C, YSR-16-20-C,
 YSR-20-25-C: Galvanised steel
 Free of copper, PTFE and silicone



Ordering data			
for Ø [mm]	including shock absorber → 1 / 9.0-2	Part No.	Type
10	YSR-8-8-C	116 246	SLE-10-YSR-C
16	YSR-8-8-C	116 247	SLE-16-YSR-C
20, 25	YSR-12-12-C	116 248	SLE-20/25-YSR-C
32	YSR-16-20-C	116 249	SLE-32-YSR-C
40	YSR-16-20-C	116 250	SLE-40-YSR-C
50	YSR-20-25-C	118 698	SLE-50-YSR-C

Shock absorber kit
SLZ...-KF-A, adjustable
 (order code YV, YH)

Material:
 Galvanised steel



Ordering data			
for Ø [mm]	including shock absorber → 1 / 9.0-2	Part No.	Type
20, 25	YSR-12-12	114 032	SLZ-25-KF-A
32, 40	YSR-16-20	114 033	SLZ-32-KF-A
50	YSR-20-25	114 034	SLZ-50-KF-A

Linear units SLE

Accessories



Switching stop SL-...-SIE-PS

(order code PV, PH)

Kit with inductive proximity sensor
PNP

Switching stop SL-...-SIE-NS

(order code NV, NH)

Kit with inductive proximity sensor
NPN



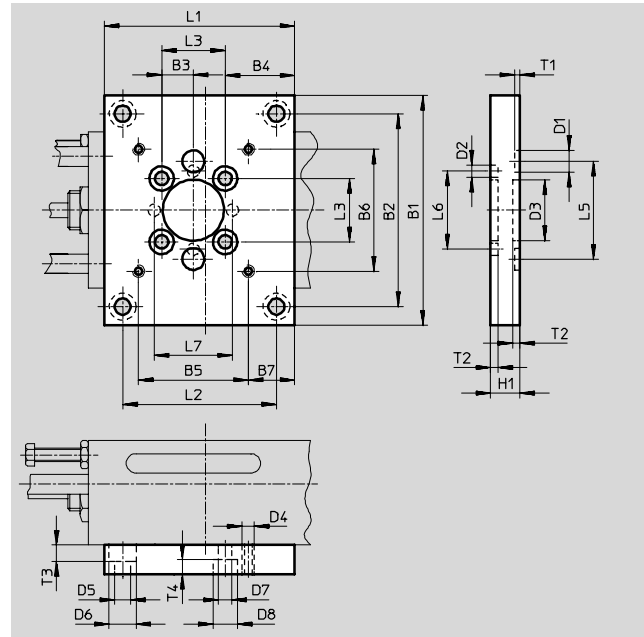
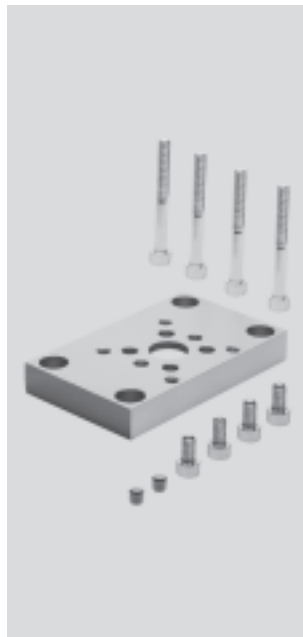
Ordering data				
for \varnothing [mm]	Switch output	including proximity sensor → Volume 4	Part No.	Type
10, 16	PNP	SIEN-4B-PS-K-L	116 251	SL-10/16-SIE-PS
	NPN	SIEN-4B-NS-K-L	116 252	SL-10/16-SIE-NS
20, 25	PNP	SIEN-4B-PS-K-L	116 253	SL-20/25-SIE-PS
	NPN	SIEN-4B-NS-K-L	116 254	SL-20/25-SIE-NS
32, 40, 50	PNP	SIEN-6,5B-PS-K-L	117 525	SL-32/50-SIE-PS
	NPN	SIEN-6,5B-NS-K-L	117 526	SL-32/50-SIE-NS

Adapter plate SLEP

for piston \varnothing 10, 16 mm

Material:

Wrought aluminium alloy



Dimensions and ordering data																		
for \varnothing [mm]	B1	B2	B3	B4	B5	B6	B7	D1 \varnothing H7	D2 \varnothing H7	D3 \varnothing G7	D4	D5 \varnothing	D6 \varnothing	D7 \varnothing	D8 \varnothing	H1	L1	L2
10	82	68	9.5	20	32	32	13.5	9	5	14	M5	5.5	10	5.5	10	12	50	36
16	94	79	13	23.5	45	26	14	9	5	25	M5	6.6	11	5.5	10	12	73	58

for \varnothing [mm]	L3	L5	L6	L7	T1	T2	T3	T4	Weight [g]	Part No.	Type
10	19	40	28	-	2.1	3	5.7	6.7	122	150 909	SLEP-10
16	26	40	32	32	2.1	3	6.8	6.7	205	150 910	SLEP-16

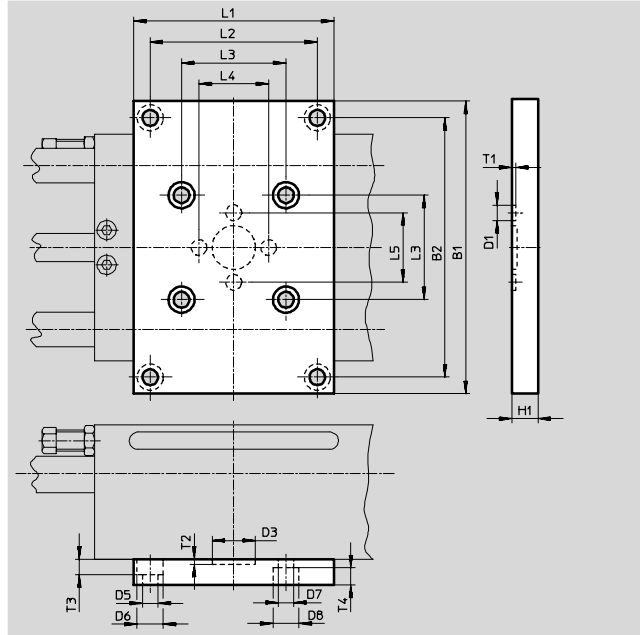
Linear units SLE

Accessories



Adapter plate SLEP for piston \varnothing 20 ... 50 mm

Material:
Wrought aluminium alloy



Drives with linear guides
Rod guides

6.2

Dimensions and ordering data											
for \varnothing	B1	B2	D1	D3	D5	D6	D7	D8	H1	L1	L2
[mm]			\varnothing H7	\varnothing G7	\varnothing	\varnothing	\varnothing	\varnothing			
20, 25	117	102	9	25	6.6	11	6.6	11	12	83	68
32	153	134	9	25	9	15	6.6	11	15	108	89
40	168	149	9	25	9	15	9	15	15	115	96
50	192	173	9	25	9	15	9	15	15	128	109

for \varnothing	L3	L4	L5	T1	T2	T3	T4	Weight	Part No.	Type
[mm]								[g]		
20, 25	40	40	40	2.1	3	6.8	7.5	307	150 911	SLEP-25
32	50	40	40	2.1	3	9	8	685	150 912	SLEP-32
40	60	40	40	2.1	3	9	10	734	150 913	SLEP-40
50	60	40	40	2.1	3	9	10	1050	150 923	SLEP-50

Ordering data – Accessories					
	for \varnothing	Material	Part No.	Type	PU ¹⁾
	[mm]				
Centring pin ZBS Technical data → 1 / 10.1-19					
	10 ... 20	Stainless steel Free of copper, PTFE and silicone	150 928	ZBS-5	10
Centring sleeve ZBH Technical data → 1 / 10.1-19					
	25 ... 50	Stainless steel Free of copper, PTFE and silicone	150 927	ZBH-9	10


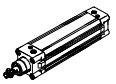
1) Packaging unit quantity


Core Range


Linear units SLE


Accessories



Ordering data – Standard cylinders				Technical data DSNU → 1 / 1.1-2			
				Technical data DNC → 1 / 1.2-24			
Designation	for Ø	Part No.	Type	Designation	for Ø	Part No.	Type
Standard cylinder DSNU				Standard cylinder DNC			
	10	14 325	DSNU-10-...-P-A		32	163 304	DNC-32-...-PPV-A
	16	14 320	DSNU-16-...-PPV-A		40	163 336	DNC-40-...-PPV-A
	20	14 321	DSNU-20-...-PPV-A		50	163 368	DNC-50-...-PPV-A
	25	14 322	DSNU-25-...-PPV-A				

Ordering data – Proximity sensors, round design, magneto-resistive							Technical data → 1 / 10.2-63	
	Mounting	Switch output	Electrical connection		Cable length [m]	Connection direction	Part No.	Type
			Cable	Plug M8				
Normally open contact								
	Via accessories	PNP	3-wire	–	2.5	In-line	152 836	SMT0-4U-PS-K-LED-24
			–	3-pin	–	In-line	152 742	SMT0-4U-PS-S-LED-24
		NPN	3-wire	–	2.5	In-line	152 837	SMT0-4U-NS-K-LED-24
			–	3-pin	–	In-line	152 743	SMT0-4U-NS-S-LED-24

Ordering data – Proximity sensors, round design, magnetic reed							Technical data → 1 / 10.2-65	
	Mounting	Electrical connection		Cable length [m]	Connection direction	Part No.	Type	
		Cable	Plug M8					
Normally open contact								
	Via accessories	3-wire	–	2.5	In-line	36 198	SMEO-4U-K-LED-24	
			5	In-line	175 401	SMEO-4U-K5-LED-24		
		–	3-pin	–	In-line	151 526	SMEO-4U-S-LED-24-B	

Ordering data – Mounting kit for proximity sensor SMEO/SMT0-4				Technical data → 1 / 10.2-70	
Designation	for Ø	Part No.	Type		
	10	19 273	SMBR-10		
	16	19 275	SMBR-16		
	20	19 276	SMBR-20		
	25	19 277	SMBR-25		

Drives with linear guides
Rod guides

6.2

Linear units SLE

Accessories



Drives with linear guides
Rod guides

6.2

Ordering data – Proximity sensors for slot type 8, magneto-resistive							Technical data → 1 / 10.2-13		
	Mounting	Switch output	Electrical connection			Cable length [m]	Part No.	Type	
			Cable	Plug M8	Plug M12				
Normally open contact									
	Via accessories	PNP	3-wire	–	–	2.5	525 898	SMT-8F-PS-24V-K2,5-OE	
		NPN					525 909	SMT-8F-NS-24V-K2,5-OE	
		–	2-wire	–	–	2.5	525 908	SMT-8F-ZS-24V-K2,5-OE	
		PNP	–	3-pin	–	0.3	525 899	SMT-8F-PS-24V-K0,3-M8D	
		NPN					525 910	SMT-8F-NS-24V-K0,3-M8D	
PNP	–	–	3-pin	0.3	525 900	SMT-8F-PS-24V-K0,3-M12			
	Via accessories	PNP	3-wire	–	–	2.5	175 436	SMT-8-PS-K-LED-24-B	
			–	3-pin	–	0.3	175 484	SMT-8-PS-S-LED-24-B	
Normally closed contact									
	Via accessories	PNP	3-wire	–	–	7.5	525 911	SMT-8F-PO-24V-K7,5-OE	

Ordering data – Proximity sensors for slot type 8, magnetic reed						Technical data → 1 / 10.2-16		
	Mounting	Electrical connection			Cable length [m]	Part No.	Type	
		Cable	Plug M8					
Normally open contact								
	Via accessories	3-wire	–	–	2.5	525 895	SME-8F-DS-24V-K2,5-OE	
					5.0	525 897	SME-8F-DS-24V-K5,0-OE	
		2-wire	–	–	2.5	525 907	SME-8F-ZS-24V-K2,5-OE	
		–	3-pin	–	0.3	525 896	SME-8F-DS-24V-K0,3-M8D	
	Via accessories	3-wire	–	–	2.5	150 855	SME-8-K-LED-24	
		–	3-pin	–	0.3	150 857	SME-8-S-LED-24	
Normally closed contact								
	Via accessories	3-wire	–	–	7.5	525 906	SME-8F-DO-24V-K7,5-OE	

Ordering data – Mounting kit for proximity sensor SME/SMT-8						Technical data → 1 / 10.2-40	
Designation	for Ø	Part No.	Type	Designation	for Ø	Part No.	Type
	16	175 094	SMBR-8-16		40		
	20	175 095	SMBR-8-20		50	175 706	SMB-8-FENG-50/63
	25	175 096	SMBR-8-25				

Core Range

Linear units SLE

Accessories



Ordering data – Proximity sensors for slot type 10, magneto-resistive							Technical data → 1 / 10.2-47		
Mounting	Switch output	Electrical connection		Cable length [m]	Connection direction	Part No.	Type		
		Cable	Plug M8						
Normally open contact									
	Via accessories	PNP	3-wire	–	2.5	In-line	525 915	SMT-10F-PS-24V-K2,5L-OE	
			–	3-pin	0.3	In-line	525 916	SMT-10F-PS-24V-K0,3L-M8D	
			–	3-pin	0.3	Lateral	526 675	SMT-10F-PS-24V-K0,3Q-M8D	
	Via accessories	PNP	–	3-pin	0.3	In-line	173 220	SMT-10-PS-SL-LED-24	
			3-wire	–	2.5		173 218	SMT-10-PS-KL-LED-24	

Ordering data – Proximity sensors for slot type 10, magnetic reed							Technical data → 1 / 10.2-50	
Mounting	Electrical connection		Cable length [m]	Connection direction	Part No.	Type		
	Cable	Plug M8						
Normally open contact								
	Via accessories	–	3-pin	0.3	In-line	525 914	SME-10F-DS-24V-K0,3L-M8D	
		3-wire	–	2.5	In-line	525 913	SME-10F-DS-24V-K2,5L-OE	
		2-wire	–	0.3		526 672	SME-10F-ZS-24V-K2,5L-OE	
	Via accessories	3-wire	–	0.3	In-line	173 212	SME-10-SL-LED-24	
		–	3-pin	2.5		173 210	SME-10-KL-LED-24	

Ordering data – Mounting kit for proximity sensor SME/SMT-10			Technical data → 1 / 10.2-57	
Designation	for Ø		Part No.	Type
	10		173 227	SMBR-10-10
	16		173 228	SMBR-10-16
	20		175 103	SMBR-10-20
	25		175 104	SMBR-10-25


Ordering data – Plug sockets						Technical data → 1 / 10.2-100	
Mounting	Switch output		Connection	Cable length [m]	Part No.	Type	
	PNP	NPN					
Straight socket							
	M8 locknut	■	■	3-pin	2.5	159 420	SIM-M8-3GD-2,5-PU
		■	■		5	159 421	SIM-M8-3GD-5-PU
	M12 locknut	■	■	3-pin	2.5	159 428	SIM-M12-3GD-2,5-PU
		■	■		5	159 429	SIM-M12-3GD-5-PU
Angled socket							
	M8 locknut	■	■	3-pin	2.5	159 422	SIM-M8-3WD-2,5-PU
		■	■		5	159 423	SIM-M8-3WD-5-PU
	M12 locknut	■	■	3-pin	2.5	159 430	SIM-M12-3WD-2,5-PU
		■	■		5	159 431	SIM-M12-3WD-5-PU

Core Range

Linear units SLE

Accessories



Ordering data – One-way flow control valves			Technical data → Volume 2		
	Connection		Material	Part No.	Type
	Thread	For tubing OD			
	M5	3	Metal design	193 137	GRLA-M5-QS-3-D
		4		193 138	GRLA-M5-QS-4-D
		6		193 139	GRLA-M5-QS-6-D
	G $\frac{1}{8}$	3		193 142	GRLA- $\frac{1}{8}$ -QS-3-D
		4		193 143	GRLA- $\frac{1}{8}$ -QS-4-D
		6		193 144	GRLA- $\frac{1}{8}$ -QS-6-D
		8		193 145	GRLA- $\frac{1}{8}$ -QS-8-D
	G $\frac{1}{4}$	6		193 146	GRLA- $\frac{1}{4}$ -QS-6-D
		8		193 147	GRLA- $\frac{1}{4}$ -QS-8-D
		10		193 148	GRLA- $\frac{1}{4}$ -QS-10-D

Drives with linear guides
Rod guides

6.2