



- Pneumatic connection
G¹/₈ ... G¹/₂
- Standard nominal flow rate
300 ... 6,480 l/min
- Versions with or without
silencer

Quick-exhaust valves SE/SEU

Key features, product range overview and type code



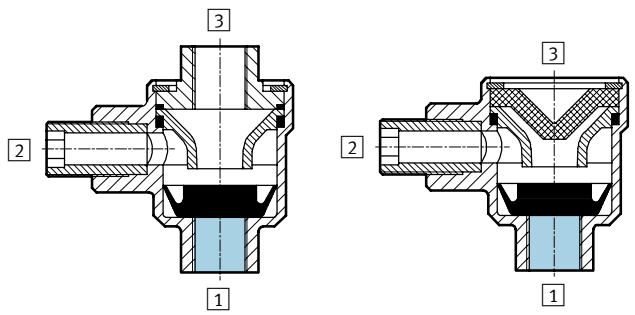
Features	SE	SEU
----------	----	-----

Function

These components allow higher piston speeds to be achieved on the return stroke of single and double-acting cylinders. Compressed air flows from the pilot valve and via the quick exhaust valve to the cylinder. The exhaust port 3 is closed at this time. When the pressure at 1 falls, exhaust flow occurs from 2 to 3.

In order to achieve the full benefit of the quick exhaust function, the valve must be connected directly to the port of the cylinder.

In the quick exhaust valve SEU the exhaust noise is reduced by a silencer.



Product range overview				
Function	Design	Type	Pneumatic connection	→ Page
Quick exhaust valves	Without silencer			
		SE	G1/8	2 / 5.3-3
			G1/4	
			G3/8	
			G1/2	
	With silencer			
		SEU	G1/8	2 / 5.3-5
			G1/4	
G3/8				
G1/2				

Flow, non-return and regulating valves
Quick-exhaust valves

5.3

Type codes



Type	
SE	Quick exhaust valve
SEU	Quick exhaust valve with silencer

Pneumatic connection	
1/8	G1/8
1/4	G1/4
3/8	G3/8
1/2	G1/2

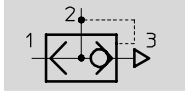
Generation	
	Series A
B	Series B

Quick-exhaust valves SE


Technical data

FESTO

Function



Without silencer

-  - Flow rate
660 ... 6,480 l/min



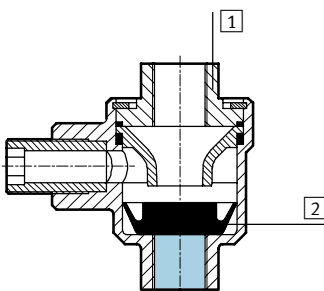
SE-1/8-B

General technical data						
Pneumatic connection	G1/8	G1/4	G3/8	G1/2		
Valve function	Quick exhaust					
Type of mounting	Can be screwed in					
Mounting position	Any					
Nominal size	[mm]	5	7	11	15	
Standard nominal flow rate	1 → 2	[l/min]	300	960	2,880	4,560
Standard nominal flow rate	2 → 3	[l/min]	660	1,200	2,760	6,480
Product weight	[g]	75	100	125	200	

Operating and environmental conditions					
Pneumatic connection	G1/8	G1/4	G3/8	G1/2	
Operating medium	Filtered compressed air, lubricated or unlubricated				
Operating pressure	[bar]	0.5 ... 10			
Ambient temperature	[°C]	-20 ... +75			
Temperature of medium	[°C]	-20 ... +75			

Materials

Sectional view



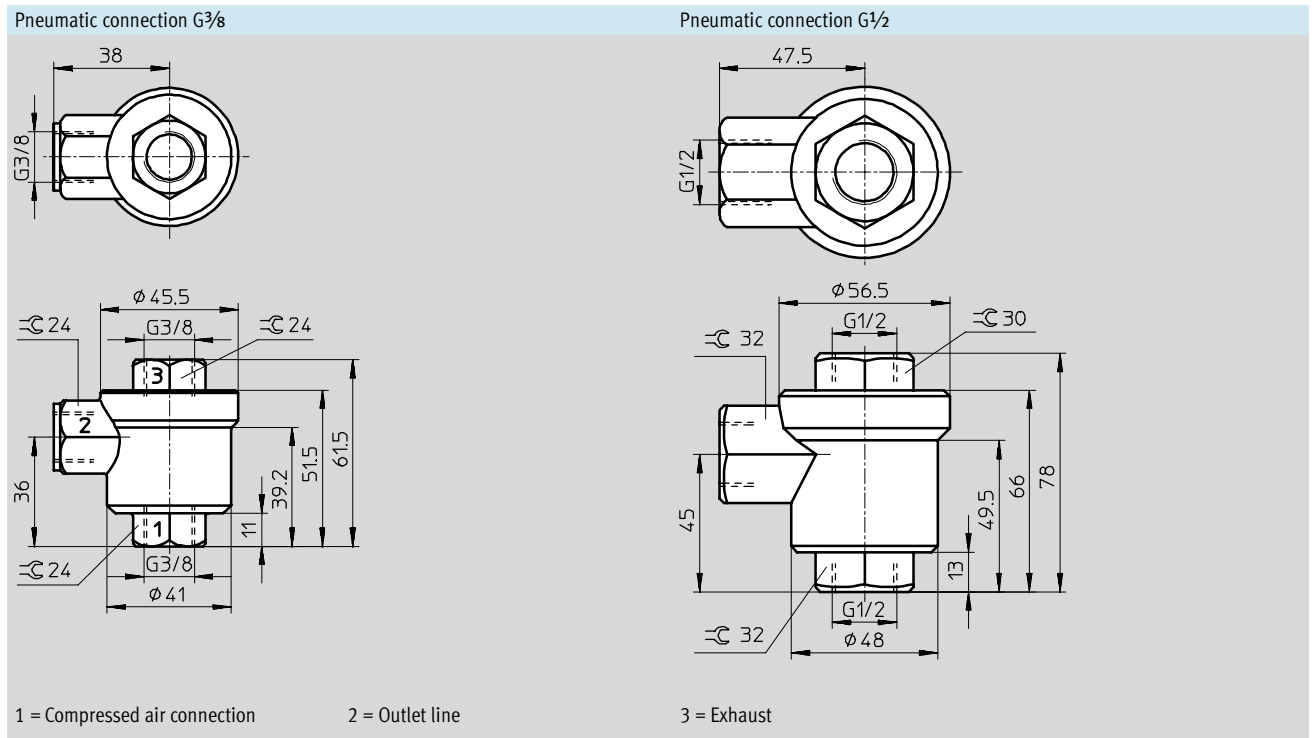
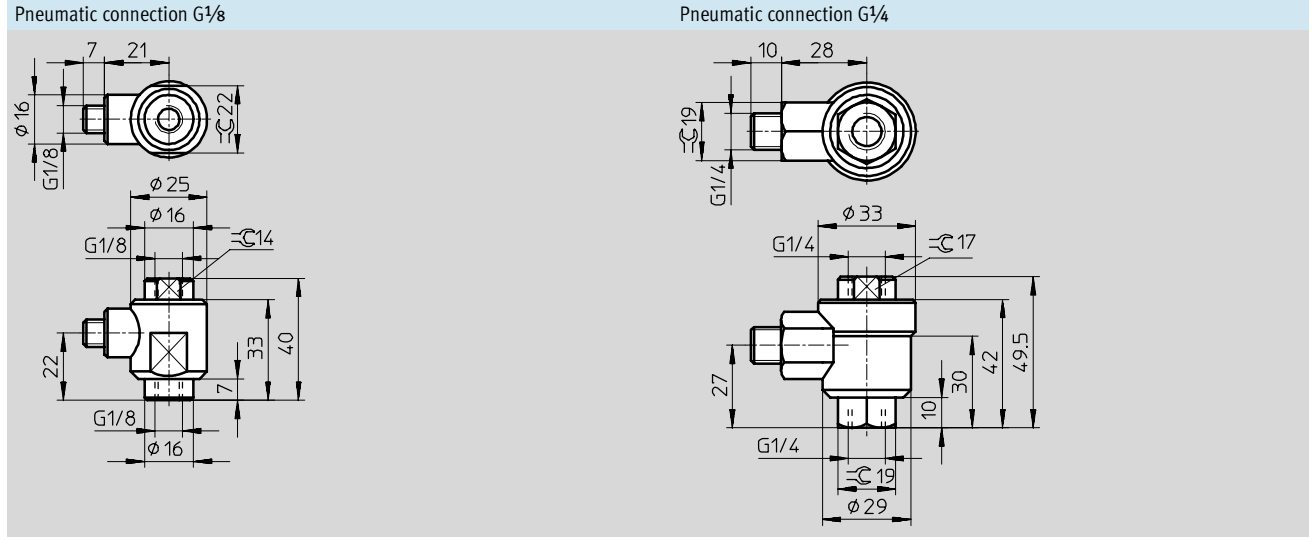
Quick exhaust valve	Pneumatic connection	
1 Housing	G1/8, G1/4	Die-cast zinc
	G3/8, G1/2	Die-cast aluminium
2 Seals		Nitrile rubber

Quick-exhaust valves SE

Technical data



Dimensions Download CAD data → www.festo.com/en/engineering

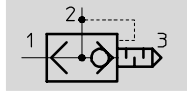


Ordering data			
Circuit symbol	Pneumatic connection	Part No.	Type
	G1/8	9685	SE-1/8-B
	G1/4	9686	SE-1/4-B
	G3/8	9687	SE-3/8-B
	G1/2	9688	SE-1/2-B


Quick-exhaust valves SEU

Technical data

Function



With silencer

-  - Flow rate
550 ... 4,020 l/min

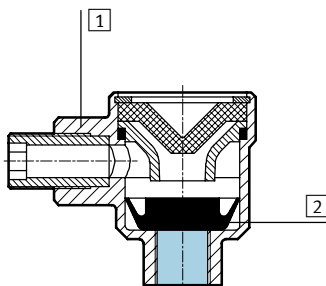


General technical data					
Pneumatic connection		G1/8	G1/4	G3/8	G1/2
Valve function		Quick exhaust			
Type of mounting		Can be screwed in			
Mounting position		Any			
Nominal size	[mm]	5	7	11	15
Standard nominal flow rate	1 → 2 [l/min]	300	960	2,880	4,560
Standard nominal flow rate	2 → 3 [l/min]	550	1,100	2,280	4,020
Product weight	[g]	65	120	160	320
Noise level	[dB (A)]	85			

Operating and environmental conditions					
Pneumatic connection		G1/8	G1/4	G3/8	G1/2
Operating medium		Filtered compressed air, lubricated or unlubricated			
Operating pressure	[bar]	0,5 ... 10			
Ambient temperature	[°C]	-20 ... +75			
Temperature of medium	[°C]	-20 ... +75			

Materials

Sectional view



Quick exhaust valve	Pneumatic connection	
1 Housing	G1/8, G1/4	Die-cast zinc
	G3/8, G1/2	Die-cast aluminium
2 Seals		Nitrile rubber

Quick-exhaust valves SEU

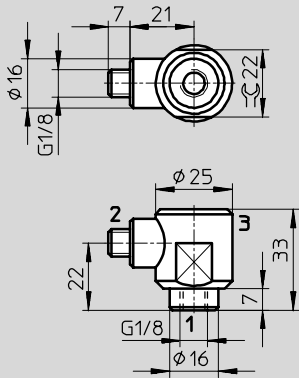
Technical data



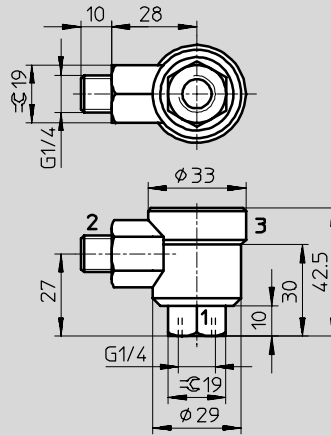
Dimensions

Download CAD data → www.festo.com/en/engineering

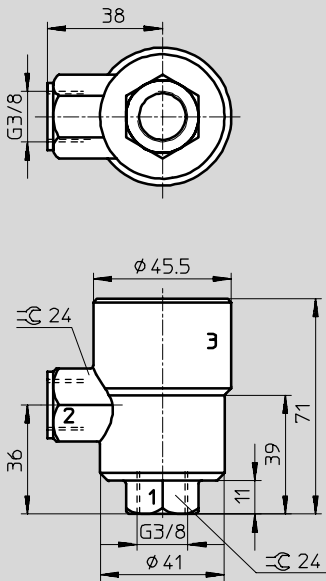
Pneumatic connection G1/8



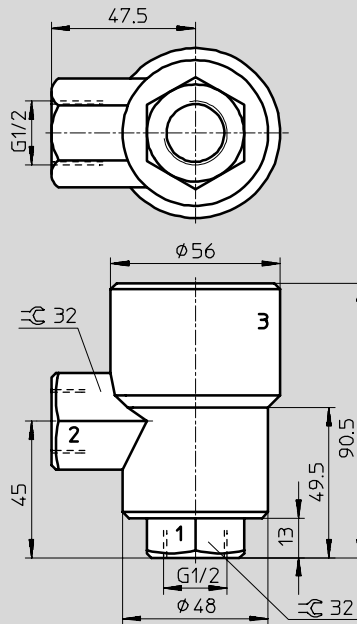
Pneumatic connection G1/4



Pneumatic connection G3/8



Pneumatic connection G1/2



1 = Compressed air connection

2 = Outlet line

3 = Exhaust

Ordering data

Design	Pneumatic connection	Part No.	Type
	G1/8	4616	SEU-1/8
	G1/4	6753	SEU-1/4
	G3/8	6755	SEU-3/8
	G1/2	6822	SEU-1/2

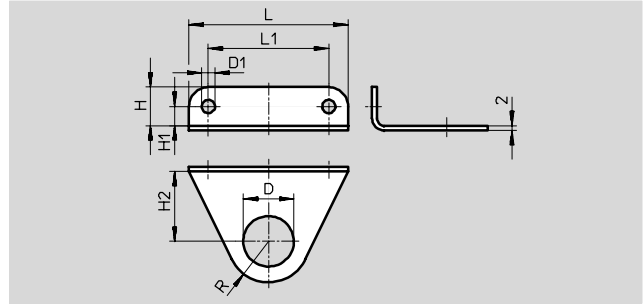
Quick-exhaust valves SE/SEU

Accessories





Mounting bracket HSE

Material:
Anodised aluminium



Dimensions and ordering data											
For connecting thread	D ∅	D1 ∅	H	H1	H2	L	L1	R	Weight [g]	Part No.	Type
G $\frac{1}{8}$	10	4.5	11	6	13.5	40	30	10	5.1	8 710	HSE- $\frac{1}{8}$
G $\frac{1}{4}$	13.2	4.5	11	6	17	42	32	14	6.4	8 711	HSE- $\frac{1}{4}$
G $\frac{3}{8}$	16.8	5.5	13	7	23.5	54	42	13	9	8 712	HSE- $\frac{3}{8}$
G $\frac{1}{2}$	21	5.5	16	8	29	66	50	17	14	8 713	HSE- $\frac{1}{2}$

Ordering data		Part No.	Type
Push-in/threaded fittings QS			
		→	Volume 3
Silencers			
		→	Volume 3