




- Multiple connectors for control cabinet outlets
- Combination of different connection sizes for terminal plugs and sockets in one multiple connector


# Multiple connectors KSV/KDVF

Technical data



**Multi-plug KSV**  
**Multi-socket KDVF**

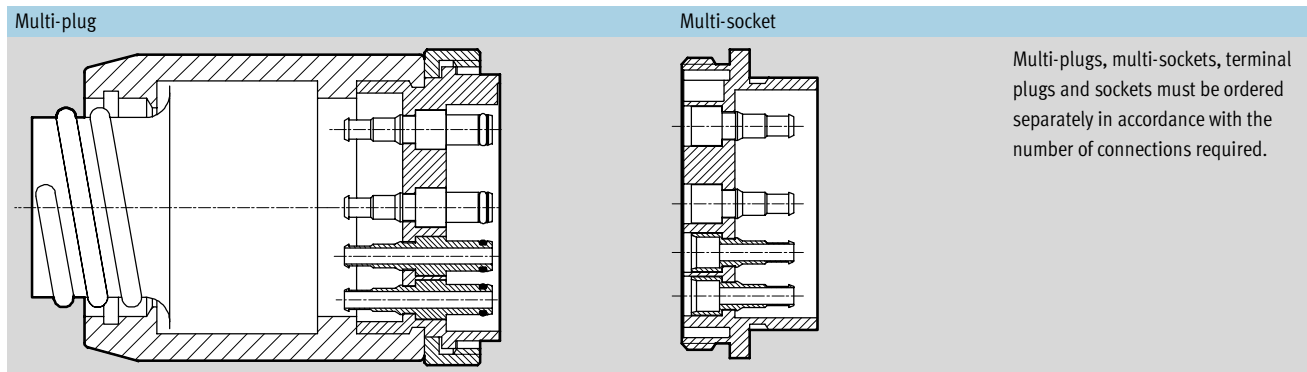
-  - Temperature range  
-10 ... +60 °C

-  - Operating pressure  
-0.95 ... 16 bar

The plug and socket connections are numbered, and a locating lug prevents them from being incorrectly matched during connection. The connector is tightened and secured with a retaining ring. The multi-plug has a half-shell housing and can accommodate a conduit. An additional internal sleeve ensures strain relief for the tubing, and protects it against damage.



General technical data							
Multi-plug	KSV-5	KSV6-7	KSV-8	KSV6-12	KSV-16-B	KSV6-22	KSV-32-B
Multi-socket	KDVF-5	KDVF6-7	KDVF-8	KDVF6-12	KDVF-16-B	KDVF6-22	KDVF-32-B
Pneumatic connection	PK-2	-	PK-2	-	PK-2	-	PK-2
	PK-3	-	PK-3	-	PK-3	-	PK-3
	PK-4	-	PK-4	-	PK-4	-	PK-4
	-	PK-6	-	PK-6	-	PK-6	-
Operating medium	Filtered compressed air, lubricated or unlubricated						
Type of mounting	Mounting flange on multi-socket						
Max. connections	5	7	8	12	16	22	32
Operating pressure [bar]	-0.95 ... +16 (observe operating range of tubing)						
Ambient temperature [°C]	-10 ... +60						
Weights (multi-plug with multi-socket) [g]	123	151	164	229	237	338	353
<b>Materials</b>							
Housing	Plastic						
Nipple	Brass						
Eye nut	Aluminium						
Colour	Grey						



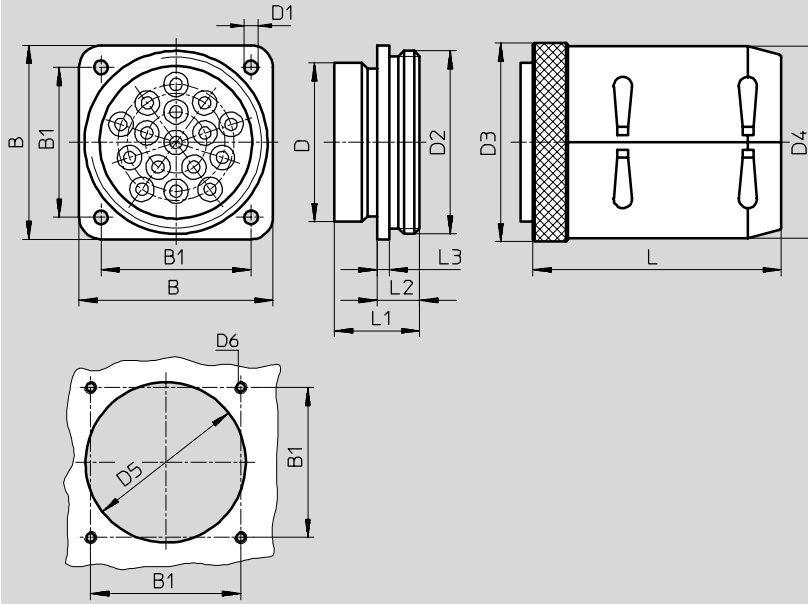
# Multiple connectors KSV/KDVF

Technical data

FESTO

## Dimensions

Download CAD data → [www.festo.com/en/engineering](http://www.festo.com/en/engineering)



Max. connections	B	B1	D Ø	D1 Ø	D2	D3 Ø	D4 Ø	D5 min. Ø	D6	L	L1	L2	L3
5	41.2	31.7	30	4.5	M36x1.5	42	40	30.5	M4	71	23.5	13.5	3.5
7	50.8	39.6	40	4.5	M45x1.5	50	50	40.5	M4	77	23.5	13.5	3.5
8	50.8	39.6	40	4.5	M45x1.5	50	50	40.5	M4	77	23.5	13.5	3.5
12	63.5	49.2	52	4.5	M60x1.5	65	63	52.5	M4	82	28	14	4
16	63.5	49.2	52	4.5	M60x1.5	65	63	52.5	M4	82	28	14	4
22	82.6	66.6	70	6.6	M80x1.5	88	80	70.5	M6	87	29	15	4
32	82.6	66.6	70	6.6	M80x1.5	88	80	70.5	M6	87	29	15	4

## Ordering data


Max. connections	For pneumatic connection	Tubing I.D.	Multi-plug		Multi-socket		
			Part No.	Type	Part No.	Type	
5	PK-2	2	7 557	KSV-5	7 562	KDVF-5	
8			7 558	KSV-8		7 563	KDVF-8
16			7 559	KSV-16-B		7 564	KDVF-16-B
32	PK-4	4	7 560	KSV-32-B	7 565	KDVF-32-B	
7			152 506	KSV6-7	152 509	KDVF6-7	
12			152 507	KSV6-12	152 510	KDVF6-12	
22	PK-6	6	152 508	KSV6-22	152 511	KDVF6-22	

# Multiple connectors KSV/KDVF

Accessories

**FESTO**

Terminal plug KSV  
Terminal socket KDVF

 Operating pressure  
0 ... 8 bar



Dimensions and ordering data				
Pneumatic connection	Weight [g]	Part No.	Type	PU*
<b>Terminal plug</b>				
PK-2	5	33 384	KSV-PK-2	10
PK-3	5	7 215	KSV-PK-3	10
PK-4	5	7 216	KSV-PK-4	10
PK-6	8	117 945	KSV6-PK-6	10
<b>Terminal socket</b>				
PK-2	3	244 937	KDV-PK-2	10
PK-3	3	208 378	KDV-PK-3	10
PK-4	3	208 380	KDV-PK-4	10
PK-6	4	337 348	KDV6-PK-6	10

\* Packaging unit quantity