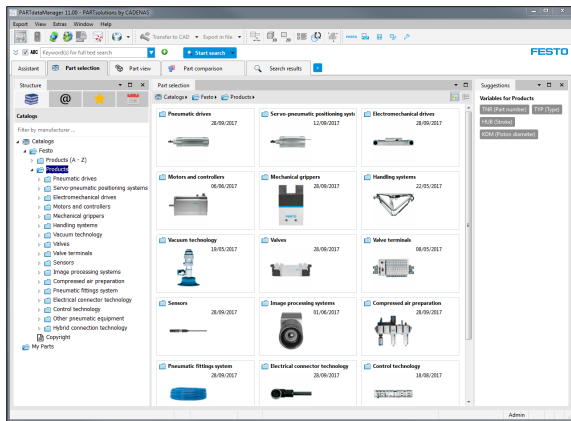


2D/3D CAD data Festo PARTdataManager



Festo PARTdataManager

2D/3D CAD data – now even faster and easier



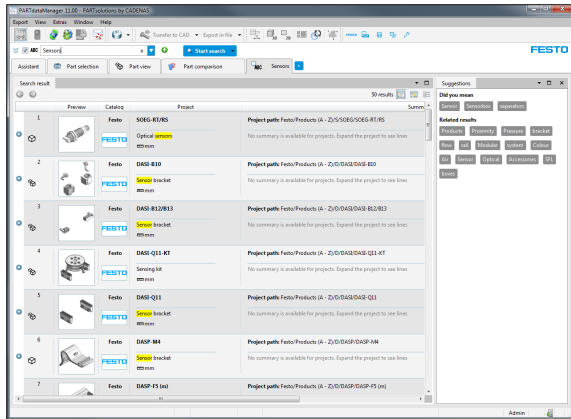
Reduced workload thanks to 2D/3D CAD data for more than 33,000 products.

The utilised CAD technology makes it possible for you to generate multi-CAD compatible CAD data. Both neutral and native CAD formats can be generated – entirely in accordance with your needs. Festo PARTdataManager can be installed as a separate application.

2D/3D CAD interfaces for:

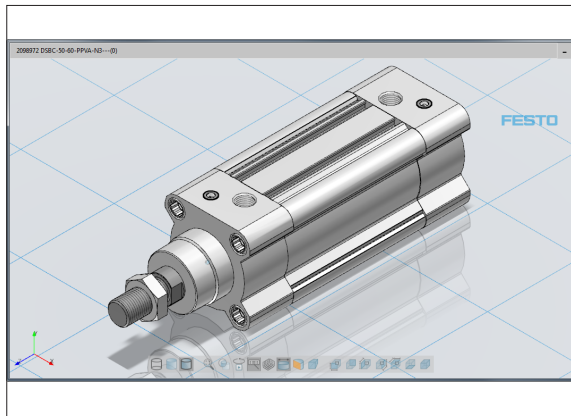
- AutoCAD®
- Autodesk® Inventor™
- CATIA® V5
- Creo®
- Pro/ENGINEER®
- NX™
- SOLID EDGE®
- SolidWorks®

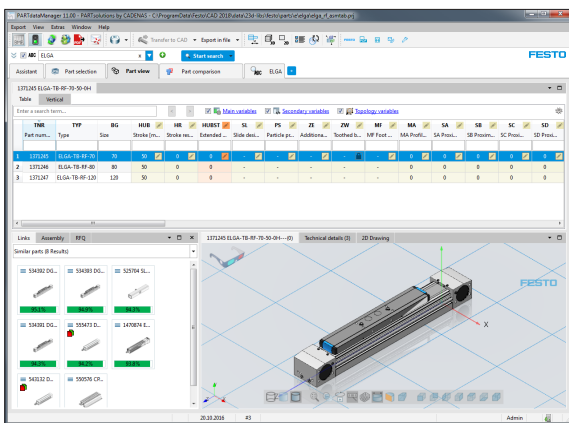
CAD Data by Festo SE
 CAD Technology powered by
 CADENAS GmbH© 2021



Take advantage of comprehensive full-text searches, e.g. for part numbers or product lines. Navigate through products sorted according to categories, set up your own favourites or start a search with a keyword such as “grripper”. Create 2D drawings with frame and layer settings in accordance with your requirements.

Visit our website at www.festo.com. Here you will find screen videos which quickly and simply explain the functions of this version.





The reworked user interface of Festo PARTdataManager offers the following advantages :

- The search function is always accessible
- Several search terms can be opened
- In addition to text-only searches, geometrical and variable searches are also available
- optimised order code search
- Tabs can be used to change quickly between various types of information such as search results and product images
- Convenient filter functions within the selection tables
- Switch quickly between predefined views or save your own arrangements at "Window" -> "Manage views"
- Windows can be stacked in order to save space
- Windows can be completely separated, thus, for example, allowing a 3-D view during parts selection

New:
Compare products geometrically.

For example add a complete valve terminal to part comparison by right-clicking in the 3D view.

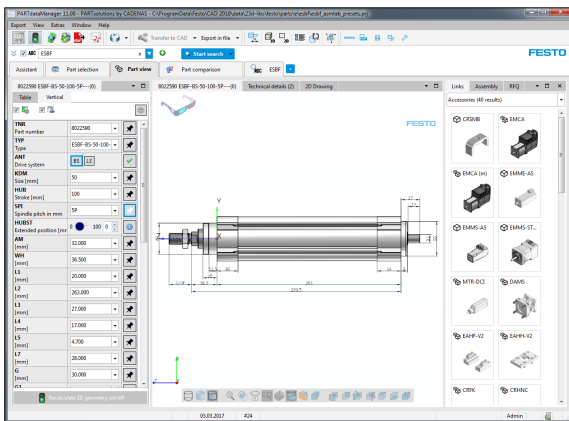
Find geometrically similar products.

To do this, change over in the "Links" window to "Similar products".

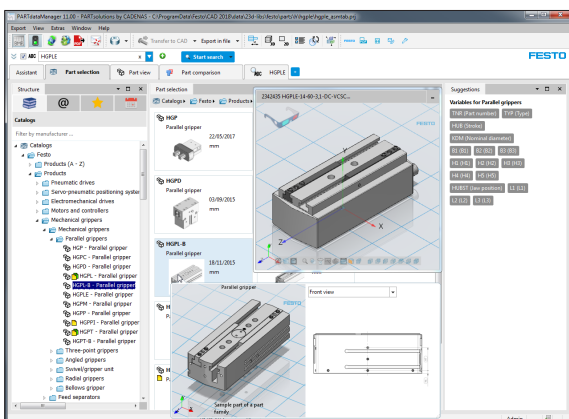
Find accessories for selected products.

Example: find mounting for standard cylinder DSBF?

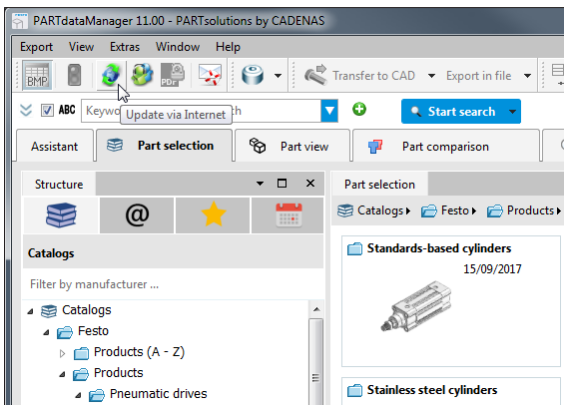
In the product view, change directly from the project DSBF to the project CRFNG. All that is required is a click on the appropriate tile in the "Links" window!



Click on the window in order to re-arrange it, just touch the title bar of a window and drag it to the desired position.



Always the latest data, thanks to intelligent online update

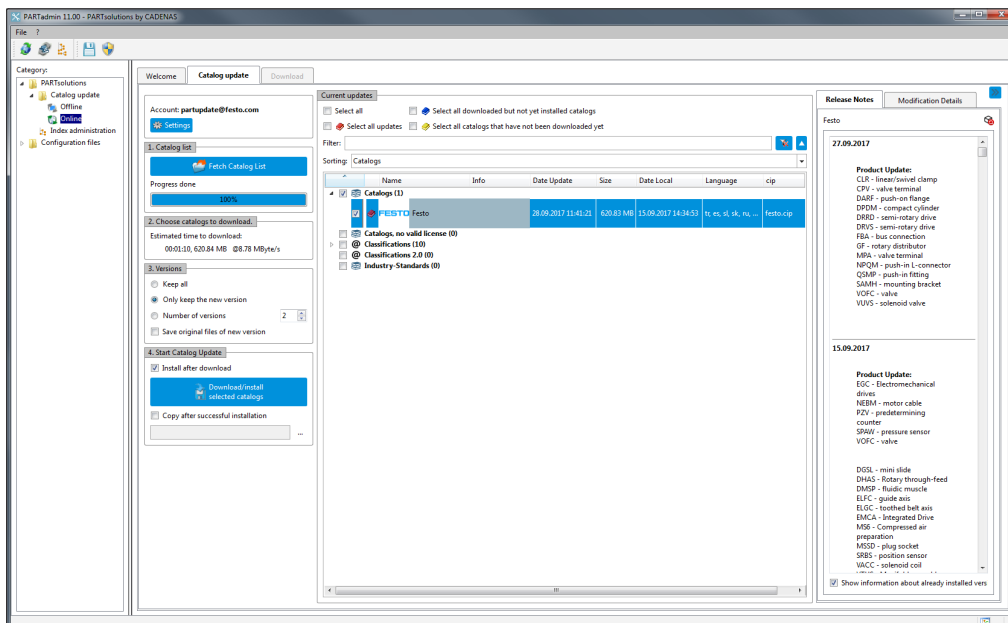


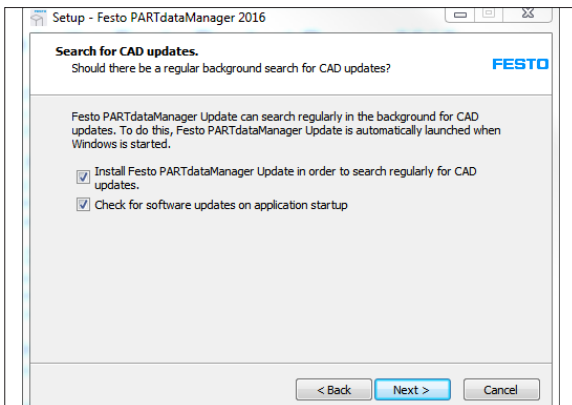
Use the integrated, online update function to ensure that you always have the latest CAD data available locally.

- Fast
- Safe
- Right up to date

If necessary independently of the Festo Product Catalogue/ DVD, to ensure your local CAD data is synchronized with the CAD server.

www.festo.com/cad
www.festo.com/partdatamanager
www.festo.com/cad_update





Activate the update reminder when installing Festo PARTdataManager. You will then receive a display of all updates.

As standard, a check is made each time Windows is started to see if CAD data updates are available. However, you can also specify how often to search for updates.

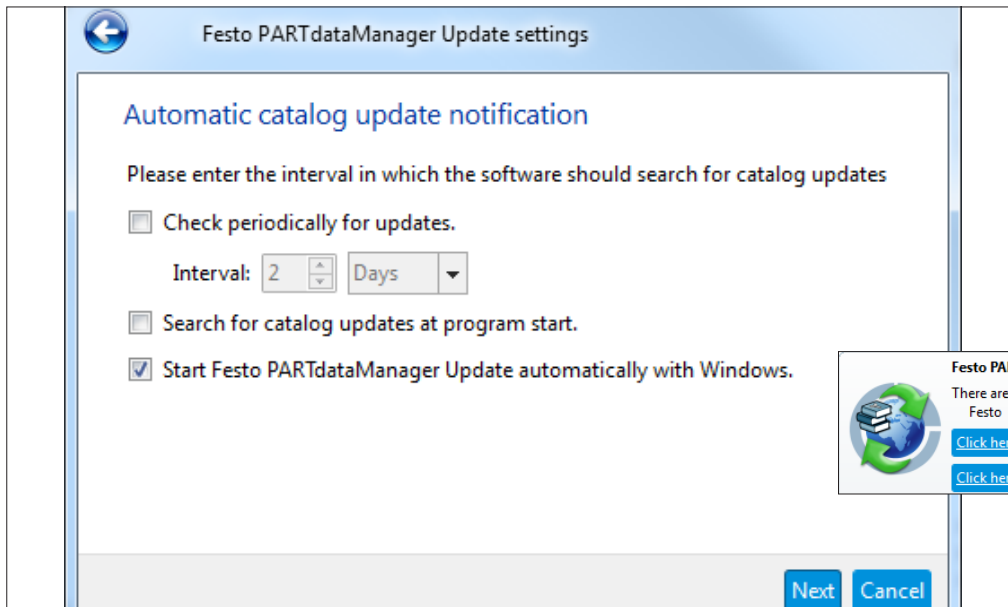
“Release Notes” function

- Displays products with updated CAD data
- Can be called up via the update tool by right-clicking on the “Catalogue” window

Call up a display of the differences between your installed CAD data and the latest version, or view information on older versions.

The release notes are available in 15 languages

Advantage:
You can decide before downloading the new CAD data whether the revisions are relevant for you.



Festo CAD plug-in

Festo's CAD plug-ins assure a reliable link between the Festo PARTdataManager and your CAD system.

A Festo menu is added to your CAD system, by means of which part selection is seamlessly integrated.

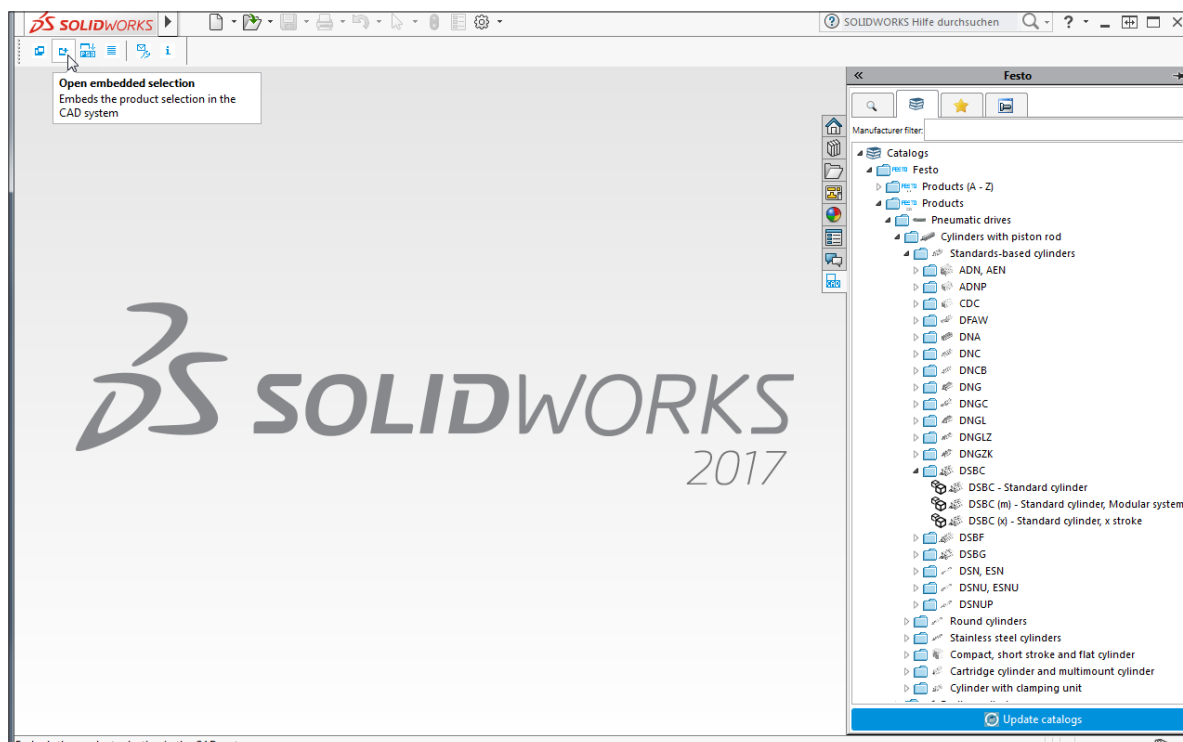
The CAD plug-in can be downloaded on Festo Support Portal: www.festo.com/net/SupportPortal

Advantages:

- Much faster component modelling
- Quick assembly layouts including matings
- Use of your own system templates
- Individualised configuration of interface settings

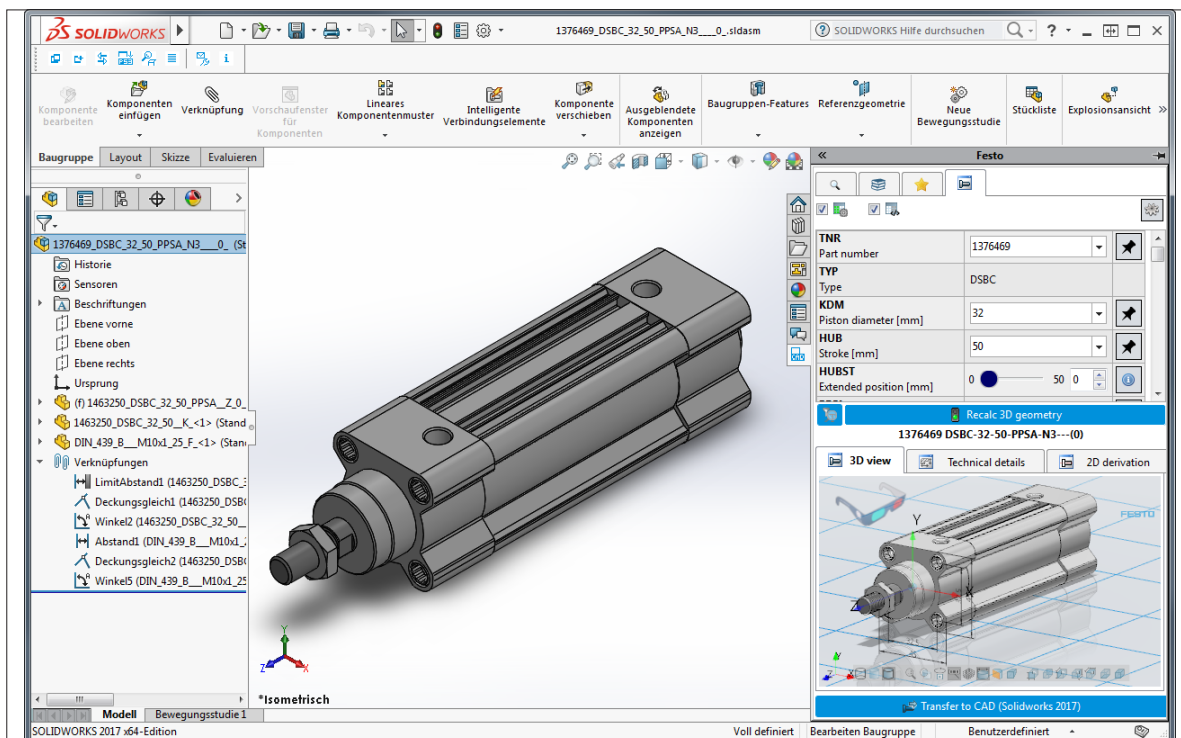
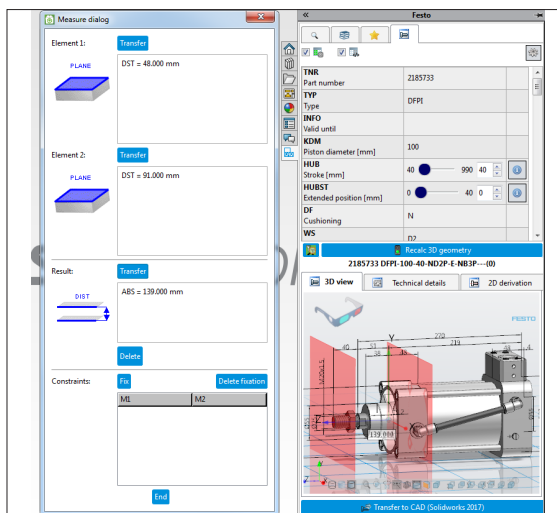
Festo CAD plug-in for:

- AutoCAD®
- Autodesk® Inventor™
- Creo®
- Pro/ENGINEER®
- NX™
- SOLID EDGE®
- SolidWorks®



Festo's CAD plug-ins allow for a complete product selection process within the CAD system.

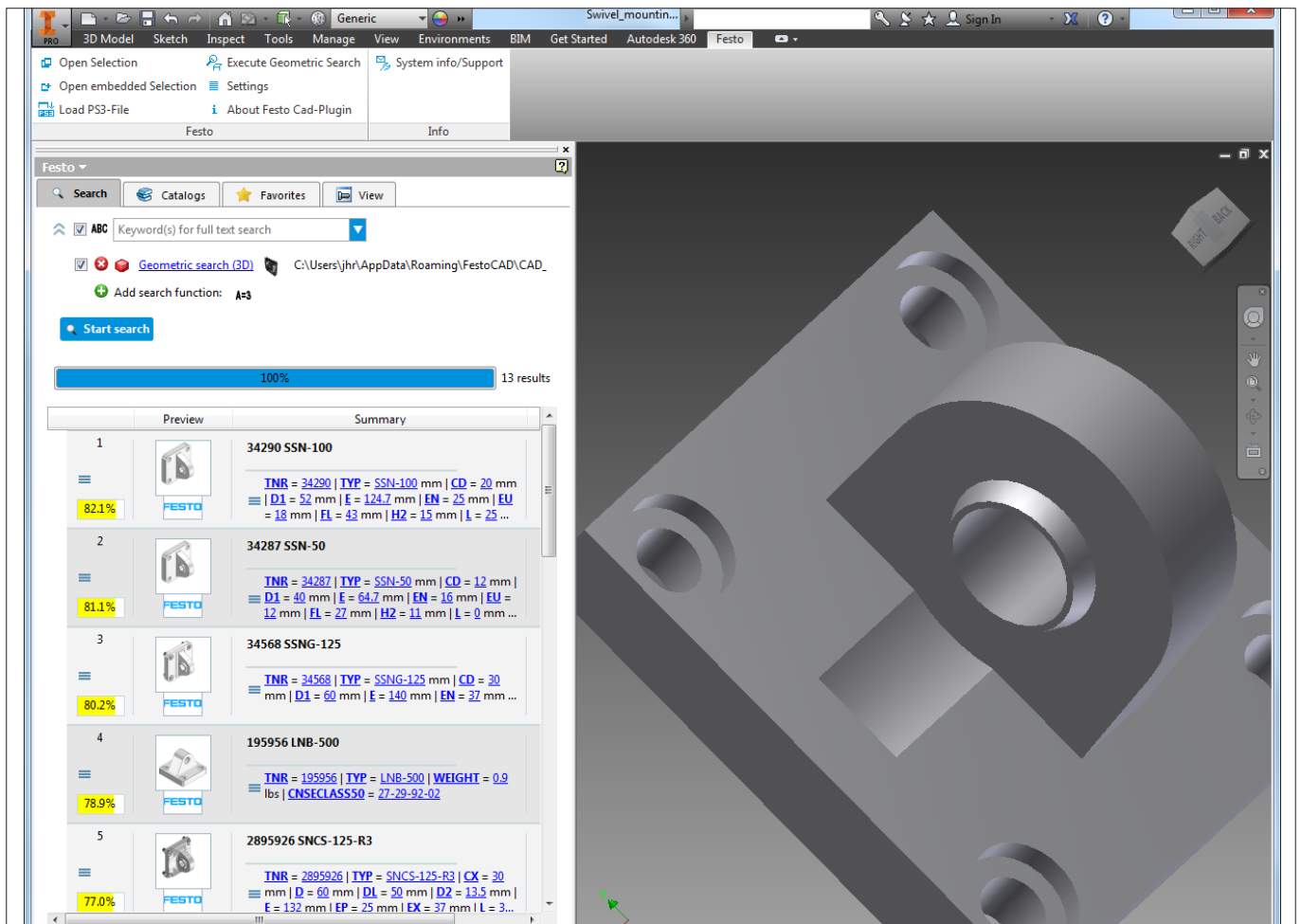
For example, the selected product can first be measured in 3 dimensions, and is only generated in the native format if it complies with engineering requirements. The engineer remains within the CAD system's user interface throughout the entire process. There is no bothersome changing back and forth between various applications.



Seamless integration into Autodesk® Inventor™

Search for geometrical similarity

Load an available CAD model and use the geometrical search to find similar Festo products. This function can be used both within the CAD plug-in and also in Festo PARTdataManager.



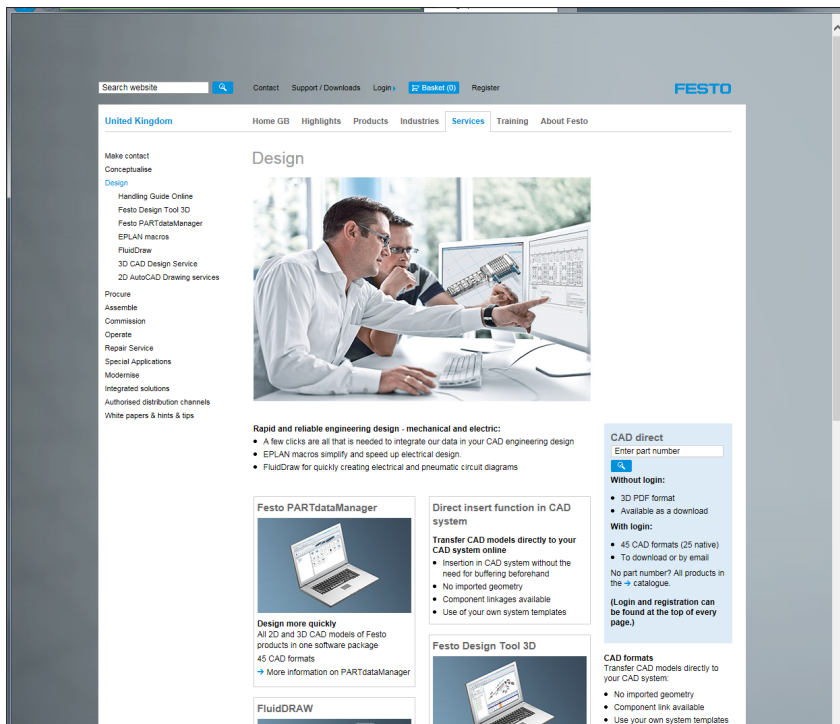
Overview of supported CAD systems

The table indicates for which combinations of CAD systems and operating systems the native CAD interfaces can be used.

CAD	Version	Win 8.1 x64	Win 10 x64
AutoCAD	2014	OK	–
	2015	OK	–
	2016	OK	OK
	2017	OK	OK
	2018	OK	OK
	2019	OK	OK
	2020	OK	OK
	2021	–	OK
Creo Parametric	2.0	OK	OK
	3.0	OK	OK
	4.0	OK	OK
	5.0	OK	OK
	6.0	OK	OK
	7.0	OK	OK
Inventor	2014	OK	–
	2015	OK	–
	2016	OK	OK
	2017	OK	OK
	2018	OK	OK
	2019	OK	OK
	2020	–	OK
	2021	–	OK
Siemens NX	8.5	OK	–
	9.0	OK	–
	10.0	OK	OK
	11.0	OK	OK
	12.0	OK	OK
	1847	–	OK
	1872	–	OK
	1899	–	OK
Solid Edge	ST6	OK	–
	ST7	OK	–
	ST8	OK	OK
	ST9	OK	OK
	ST10	OK	OK
	2019	–	OK
	2020	–	OK
	2021	–	OK
Solid Works	2014	OK	–
	2015	OK	OK
	2016	OK	OK
	2017	OK	OK
	2018	OK	OK
	2019	–	OK
	2020	–	OK
	2021	–	OK

www.festo.com/cad

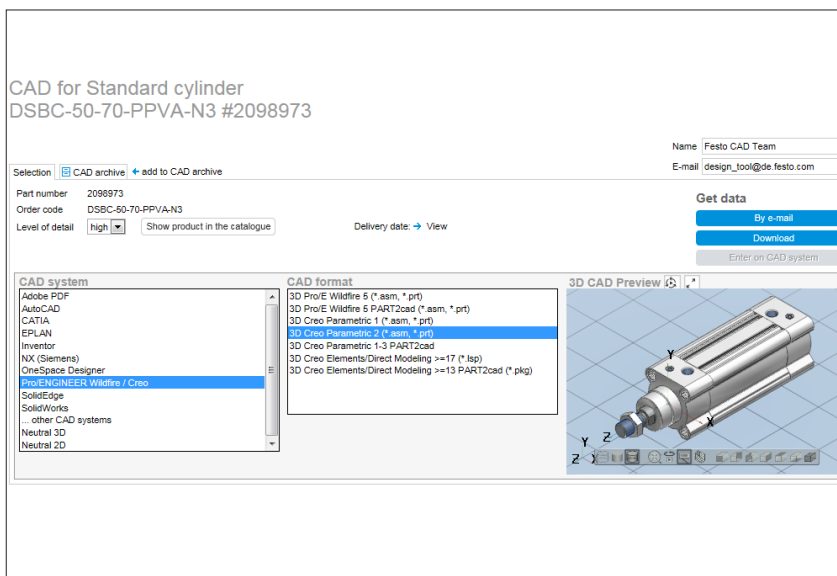
Take advantage of our CAD offerings on the Internet.



More than 180,000 downloads are started each month by users who access the latest CAD data directly via our website. Take advantage of this opportunity and select your preferred format from more than 45 available exchange formats – including new native formats. Click on the button “i-button” above the selection box of the data formats for further details.

CAD data are available for more than 33,000 products in several hundreds of thousands of variants via e-mail, download or direct to CAD function (PART2cad).

With the help of “CAD direct”, you can access CAD data for the desired product by simply entering the part number.



2D/3D CAD formats on the Internet at www.festo.com

Neutral formats

Neutral formats such as SAT, STEP, IGES and DXF can be used in almost any CAD system.

Native formats

As opposed to neutral formats, native CAD formats offer several advantages:

- Part numbers and ID codes are integrated into the CAD model and the model's filename.
- No imported geometry, but rather dynamically generated data
- Part history
- Components which are fixed in space, as well as moving components such as extendable piston rods
- Component links (constraints, mates)
- Bill of materials information for collision relevant components
- Minimal file size

Macro-formats

These offer the same advantages as native formats, except that no component mates are possible. In some cases, this format cannot be used with the "open file" dialogue in the CAD system.

Advantage:
CAD data can be generated in your own start template.

Native				Neutral			
2D		3D		2D		3D	
Software	Version	Software	Version	Software	Version	Software	Version
AutoCAD	≥2004	3D Studio MAX		BMP (2D view)		DWG	2004 – 2013
CATIA IUA*	V4	AutoCAD	≥2004	BMP (3D view)		DXF	2004 – 2013
HP ME 10	≥V9	Caddy++	SAT-V4.2	DWF	ASCII 5.5	IGES	
Medusa*	≥2000i	CATIA*	≥V5 R8	DWF	Binary 5.5	JT	
VX (Varimetrix)	≥V5.0	CATIA**	≥V5 R8	DWF	Compressed 5.5	Metafile	V2
		CATIA IUA*	V4	DWG	2004 – 2013	Parasolid Binary	V15
		CoCreate Modeling*	≥2007	DXF	2004 – 2013	Parasolid Text	V15
		Creo Elements/Direct Modeling*	≥17	HPGL	V2	PDF	≥ 7.01
		Creo Elements/Direct Modeling**	≥13			SAT	V7.0
		Creo Elements Pro**	5	JPEG (2D view)		STEP	AP203
		Creo Parametric	2 – 6				
		Creo Parametric**	1 – 6	JPEG (3D view)		STEP	AP214
		COLLADA	COLLADA 1.5	Metafile	V1		
		IFC2x mesh		Metafile	V2	STL	
		Inventor	2017 – 2020	SVG		VRML	≥ V1.0
		Inventor**	2014 – 2020			Wavefront Adv. Visualizer	
		MegaCAD	SAT-V2.0			XGL	
		Siemens NX	8 – 1872				
		Siemens NX**	8 – 1872				
		SolidEdge	ST7 – 2020				
		SolidEdge**	ST6 – 2020				
		SolidWorks*	≥2001				
		SolidWorks**	2014 – 2020				
		Think3	≥2006,2				
		VX (Varimetrix)	≥V5.0				

*Makro-Format **Direkt to CAD function (PART2CAD)

CADENAS UNITES

COMPONENT MANUFACTURERS & SUPPLIERS
WITH THE INDUSTRY!

CADENAS SOLUTIONS
for **industrial buyers** of components

THE STRATEGIC PARTS MANAGEMENT

Sustainable cost reduction of standard, supplier and company parts for engineers and purchasers.



THE GEOMETRIC SIMILARITY SEARCH

Find available CAD geometries in a smart way and classify them semi-automatically.



CADENAS SOLUTIONS
for **manufacturers & suppliers** of components

THE ELECTRONIC PRODUCT CATALOG



The software solution to create and promote Electronic CAD Product Catalogs.

THE SUPPLIER PORTAL

The platform improves the communication to external suppliers.



THE VERTICAL MARKETPLACES



Numerous online marketplaces to multiply your Electronic CAD Product Catalog.

THE PURCHINEERING CONCEPT

Improves the cooperation between purchasing and engineering.



(image source: CANVAS GmbH)

CADENAS Technologies AG

CADENAS is a leading software developer in the fields of strategic parts management and reduced parts multiplicity (PARTsolutions), as well as electronic CAD product

catalogues (eCATALOGsolutions). With its custom tailored software solutions, the company creates a link between component manufacturers and their products, and the users.

With 300 employees at 14 international locations since 1992, the name CADENAS (Spanish for process sequences) stands for success, creativity, consultancy and process optimisation.

PARTsolutions – strategic parts management

70 % of all readily influenced, overall product costs can be traced back to planning during the R&D stage, and can be reduced by means of strategic parts management.

At modern companies, the PARTsolutions strategic parts management system contributes to making components and standard parts easy to find, reducing their multiplicity and managing them. PARTsolutions

software is seamlessly integrated into the process sequence, and thus covers the entire cycle.

Thanks to a link from PARTsolutions to data sources to existing CAD and ERP systems, users are provided with all functionrelated information at a single glance for researching and selecting parts.

Strategic parts management means:

- Costs are effectively and sustainably reduced.
- Processes are accelerated.
- The multiplicity of parts is reduced by means of consolidation.
- All information at a glance
- Finding instead of searching
- More elbowroom for creative ideas = engineering instead of administration
- Conserves company resources



Productivity

Maximum productivity is a question of ambition

Do you share this attitude? We will be glad to help you achieve this goal – through our four outstanding qualities:

- Security • Efficiency • Simplicity • Competency

We are the engineers of productivity.

Discover new dimensions for your company:

→ www.festo.com/whyfesto